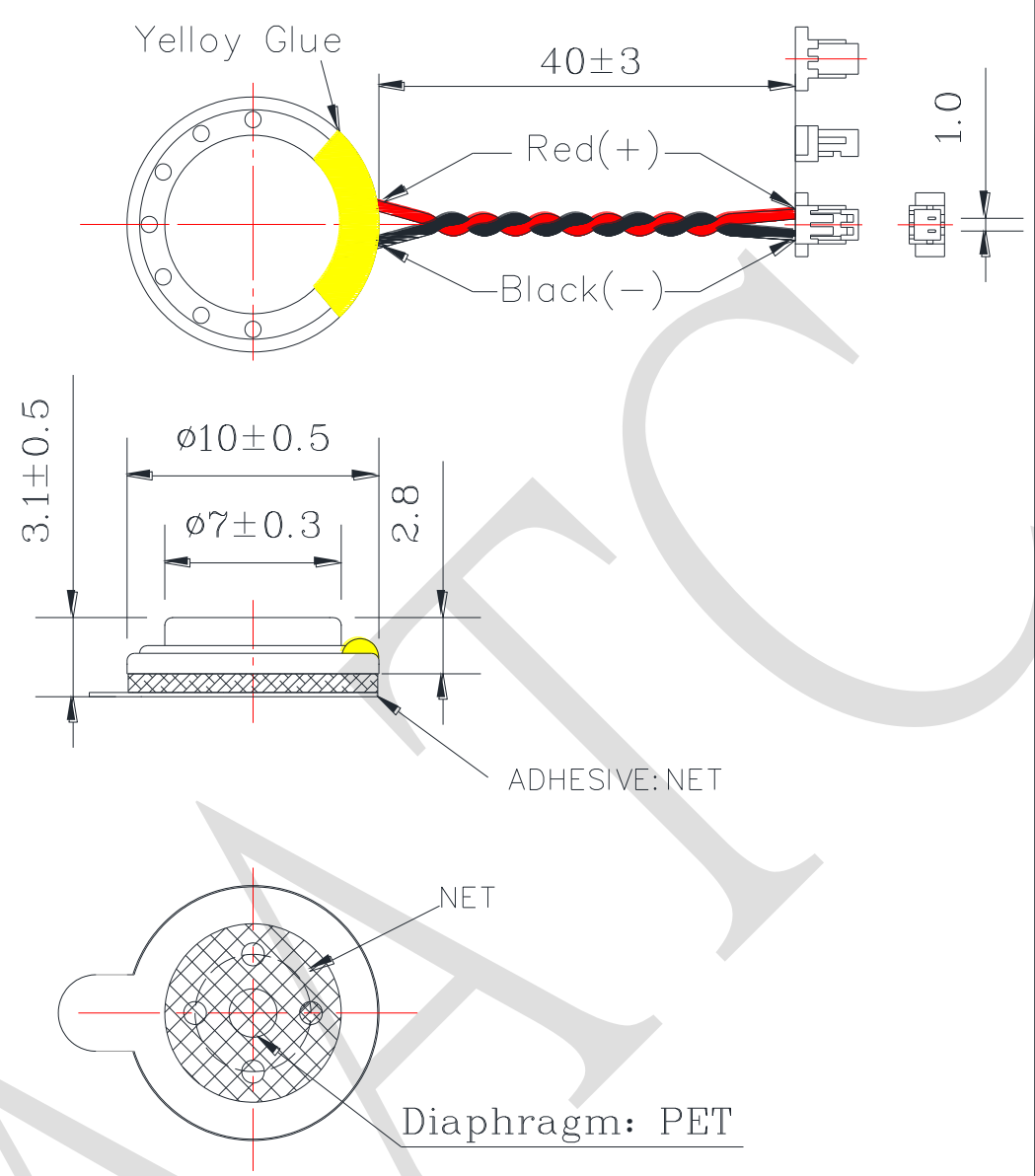


## 1. SPECIFICATION

AK-100803-MM-1CV

ITEM		SPECIFICATIONS	
01	Type	Dynamic speaker	
02	Dimension	External diameter 10 mm	
03	Rated Input Power	0.3 W	
04	Max. Input Power	0.5 W for 1 minute	
05	Impedance	$8\Omega \pm 15\%$	
06	Resonance Frequency (Fo)	1350Hz $\pm 20\%$ at Fo, 1V	
07	Sound pressure level	$82\text{dB} (0.3\text{W}/0.1\text{M}) \pm 3\text{ dB}$	at AVE1.0, 1.2 ,1.5,2.0 KHz.
08	Frequency Range	Fo –6 K Hz	
09	Total Harmonics Distortion	Max 5% at 2KHz, 0.1W(0.89V).	

REV NO.	REVISION NOTE	APPROVAL	DATE
---------	---------------	----------	------



CONNECTOR: Equivalent to JST SHR-02V-S-B  
 WIRE : UL 1571 , AWG32#

RoHS

TITLE: DYNAMIC SPEAKER		DRAWN: <b>Moose</b> 2016/04/07	SCALE: 2:1	SHEET: 1:1
PART NO. AK-100803-MM-1CV		DESIGNED: R&D OF AAT	UNITS: mm	
DWC NO. CXS10031LP40-R08W0.3-A		CHECKED:	TOLERANCE ± 0.5	
		APPROVAL:	UNLESS OTHERWISE SPECIFIED:	
REV		MATERIAL: SPCC	ONE PLACE DECIMAL ± ***	
			TWO PLACE DECIMAL ± ***	
			THREE PLACE DECIMAL ± ***	



**ADVANCED ACOUSTIC TECHNOLOGY CORPORATION**