

## 1. SPECIFICATION

AK-1008RA-24W3

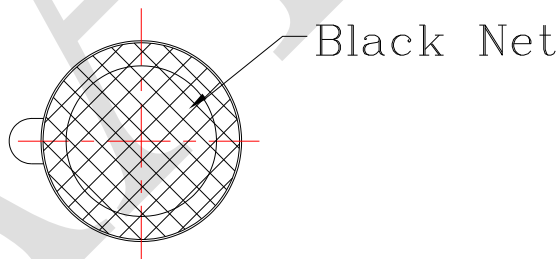
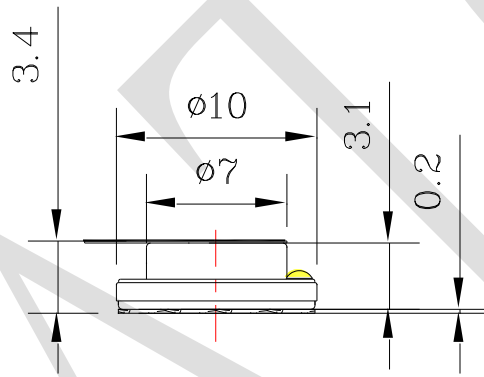
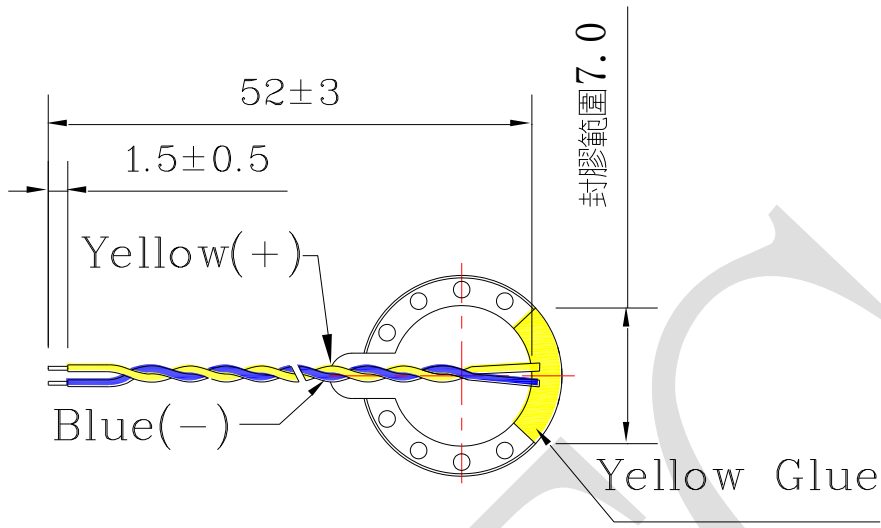
ITEM		SPECIFICATIONS	
01	Type	Dynamic speaker	
02	Dimension	External diameter 10 mm	
03	Rated Input Power	0.3 W	
04	Max. Input Power	0.5 W for 1 minute	
05	Impedance	$8\Omega \pm 15\%$ at 1.5KHz 1V	
06	Resonance Frequency (Fo)	1000 Hz $\pm$ 20% at Fo, 1V	
07	Sound pressure level	84 dB(0.1W/0.1M) $\pm$ 3 dB	at AVE 1.0K, 1.2K, 1.5K, 2.0 KHz.
		88 dB(0.3W/0.1M) $\pm$ 3 dB	
08	Frequency Range	Fo – 20 K Hz	
09	Total Harmonics Distortion	Max 10 % at 1 KHz, 1.5V.	

REV NO.

REVISION NOTE

APPROVAL

DATE



Wire: UL3302, 32# AWG  
Diaphragm: PET

RoHS

TITLE: DYNAMIC SPEAKER		DRAWN: Jerry	2013/05/14	SCALE: 2:1	SHEET: 1:1
PART NO. AK-1008RA-24W3		DESIGNED: R&D OF AAT	UNITS: mm		
DWC NO. CA-K12050901		CHECKED:	TOLERANCE ± 0.5		
		APPROVAL:	UNLESS OTHERWISE SPECIFIED:		
REV 1		MATERIAL: SPCC	ONE PLACE DECIMAL ± ***		
			TWO PLACE DECIMAL ± ***		
			THREE PLACE DECIMAL ± ***		



ADVANCED ACOUSTIC TECHNOLOGY CORPORATION