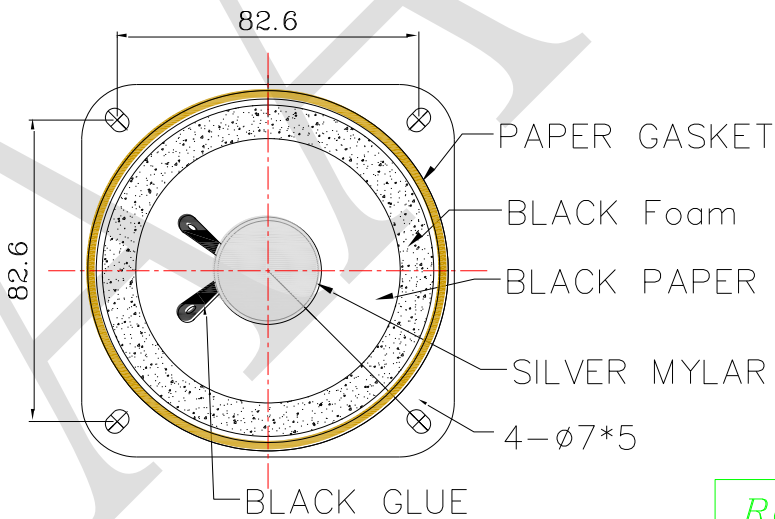
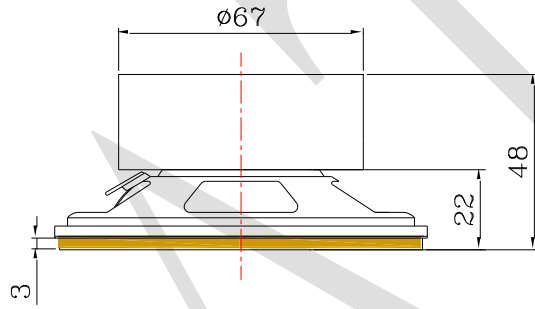
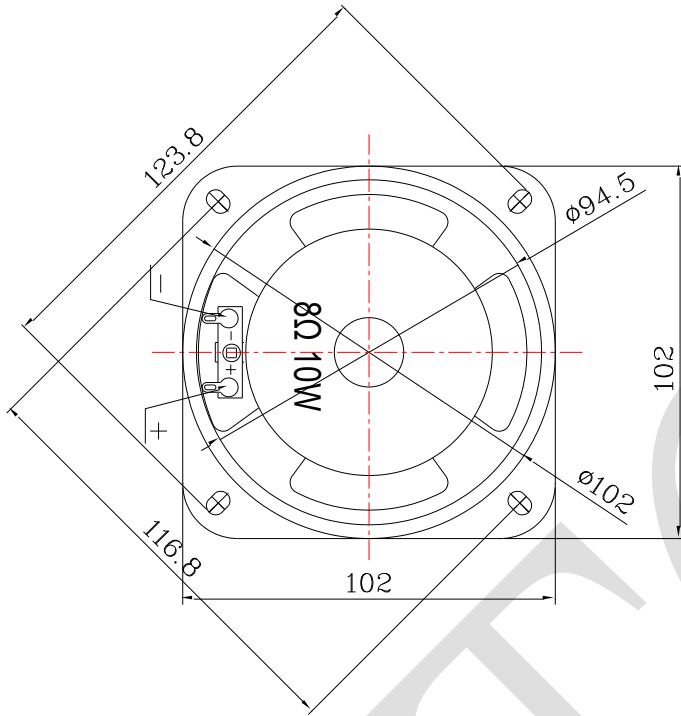


## 1. SPECIFICATION

AK-10210208HC-1

ITEM		SPECIFICATIONS	
01	Type	Dynamic speaker	
02	Dimension	External diameter 102 x 102 mm	
03	Rated Input Power	10 W	
04	Max. Input Power	20 W for 1 minute	
05	Impedance	$8\Omega \pm 15\%$ at 0.8KHz 1V	
06	Resonance Frequency (Fo)	180 Hz $\pm$ 20% at Fo, 1V	
07	Sound pressure level	86 dB(10W/1.0M) $\pm$ 3 dB	at AVE 0.5, 0.8, 1.0, 1.2 KHz.
		93 dB(10W/0.5M) $\pm$ 3 dB	
08	Frequency Range	Fo – 8 K Hz	
09	Total Harmonics Distortion	Max 10 % at 1 KHz, 1.5V.	

REV NO.	REVISION NOTE	APPROVAL	DATE
---------	---------------	----------	------



RoHS

TITLE: DYNAMIC SPEAKER		DRAWN: Jery	2012/12/13	SCALE: 2:1	SHEET: 1:1
PART NO. AK-10210208HC-1		DESIGNED: R&D OF AAT	UNITS: mm		
DWG NO. TQ-100FMA-R		CHECKED:	TOLERANCE ± 0.5		
		APPROVAL:	UNLESS OTHERWISE SPECIFIED:		
REV 2		MATERIAL: ALLOY	ONE PLACE DECIMAL ± ***		
			TWO PLACE DECIMAL ± ***		
			THREE PLACE DECIMAL ± ***		



**ADVANCED ACOUSTIC TECHNOLOGY CORPORATION**