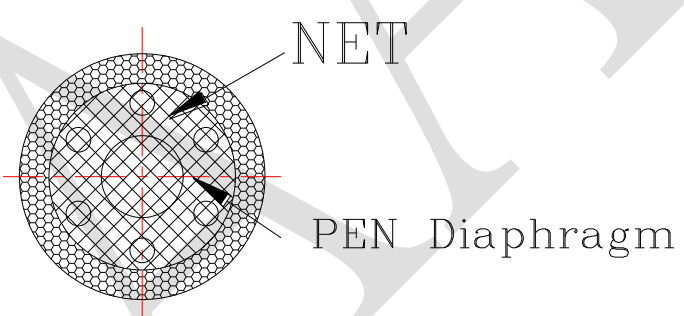
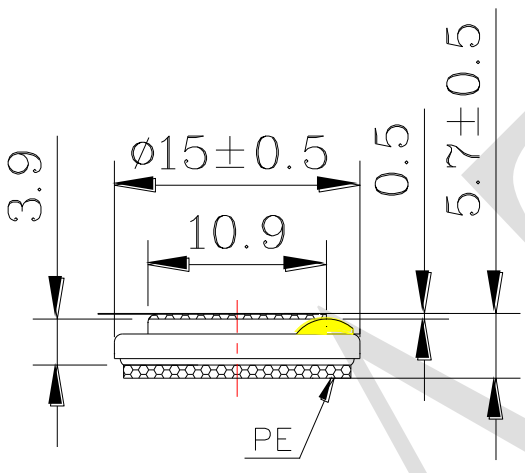
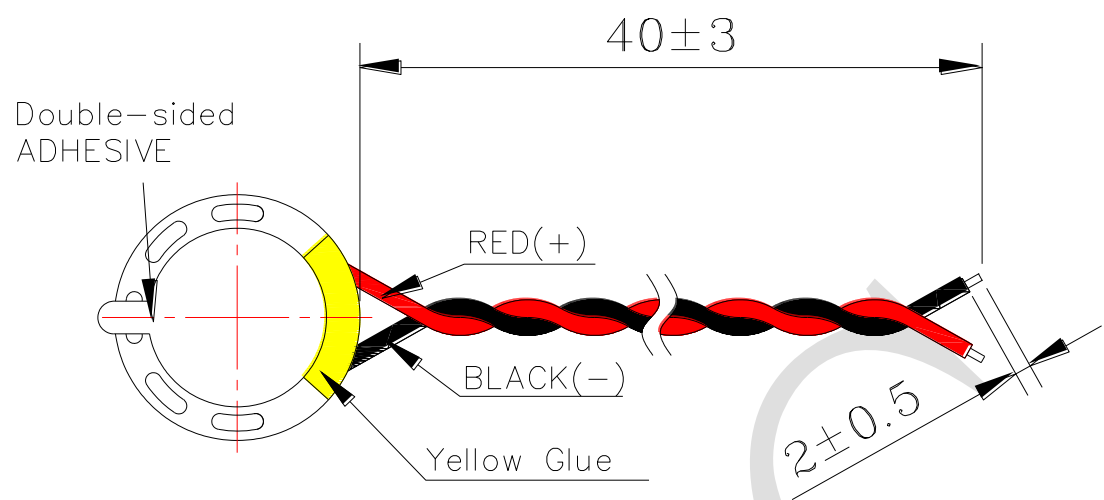


1. SPECIFICATION

AK-150805-PM-2WV

ITEM		SPECIFICATIONS	
01	Type	Dynamic speaker	
02	Dimension	External diameter 15 mm	
03	Rated Input Power	0.5 W	
04	Max. Input Power	1.0 W for 1 minute	
05	Impedance	$8\Omega \pm 15\%$	
06	Resonance Frequency (Fo)	1350Hz \pm 20% at Fo, 1V	
07	Sound pressure level	96dB (0.5W/0.1M) \pm 3 dB	at AVE 1.2, 1.3, 1.4,1.5 KHz.
08	Frequency Range	Fo -20 K Hz	
09	Total Harmonics Distortion	Max 10 % at 1 KHz, 0.1W.	

REV NO.	REVISION NOTE	APPROVAL	DATE
---------	---------------	----------	------



WIRE: UL1571,AWG32#

RoHS

TITLE: DYNAMIC SPEAKER		DRAWN: Zack	2016/06/14	SCALE: 2:1	SHEET: 1:1
PART NO. AK-150805-PM-2WV		DESIGNED: R&D OF AAT		UNITS: mm	TOLERANCE ± 0.5
DWG NO. JXS15-08-03W40D1.1-S0.5		CHECKED:		UNLESS OTHERWISE SPECIFIED:	
		APPROVAL:		ONE PLACE DECIMAL ± ***	
REV	1	MATERIAL: PBT		TWO PLACE DECIMAL ± ***	
				THREE PLACE DECIMAL ± ***	



ADVANCED ACOUSTIC TECHNOLOGY CORPORATION