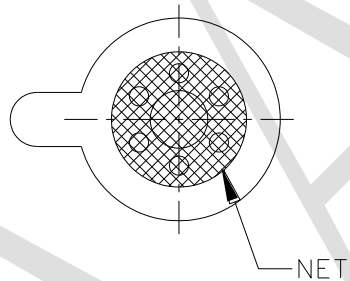
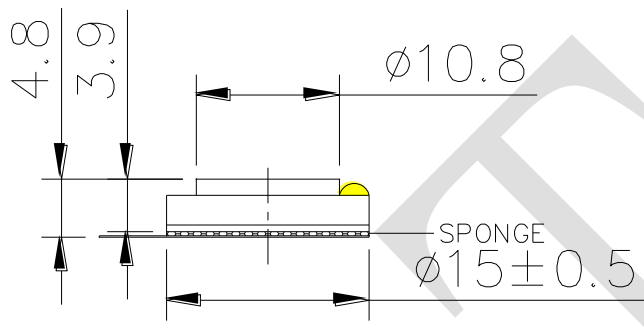
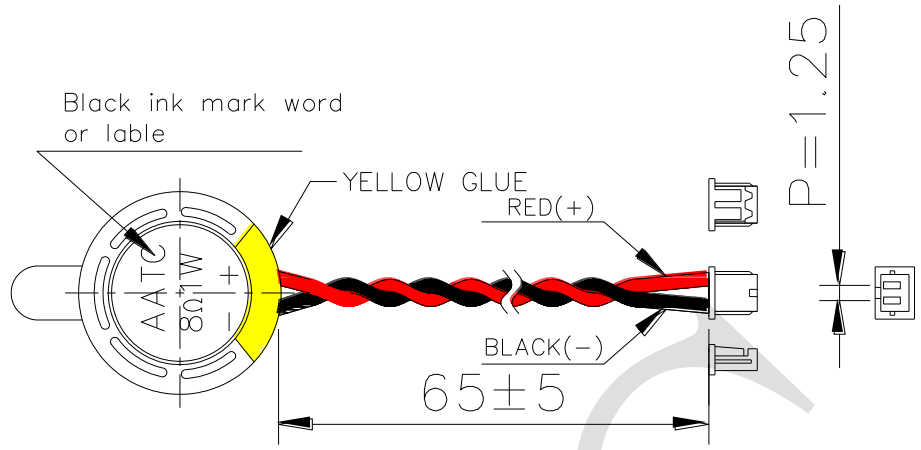


1. SPECIFICATION

AK-1508EA-10C3

ITEM		SPECIFICATIONS	
01	Type	Dynamic speaker	
02	Dimension	External diameter 15 mm	
03	Rated Input Power	1.0 W	
04	Max. Input Power	1.5 W for 1 minute	
05	Impedance	$8\Omega \pm 15\%$ at 2.0 KHz 1V	
06	Resonance Frequency (Fo)	1200 Hz \pm 20% at Fo, 1V	
07	Sound pressure level	86 dB(0.1W/0.1M) \pm 3 dB	at AVE 1.0, 1.5, 2.0, 2.5 KHz.
		95 dB(1.0W/0.1M) \pm 3 dB	
08	Frequency Range	Fo – 20 K Hz	
09	Total Harmonics Distortion	Max 10 % at 1 KHz, 1.5V.	

REV NO.	REVISION NOTE	APPROVAL	DATE
---------	---------------	----------	------



WIRE: UL1571,AWG30#
 CONNECTOR: MOLEX 51021-0200
 DIAPHRAGM: PEN

RoHS

TITLE: DYNAMIC SPEAKER		DRAWN: Zack	2012/8/27	SCALE: 2:1	SHEET: 1:1
PART NO. AK-1508EA-10C3		DESIGNED: R&D OF AAT		UNITS: mm	TOLERANCE ± 0.5
DWG NO. CA-K1103302		CHECKED:		UNLESS OTHERWISE SPECIFIED:	
		APPROVAL:		ONE PLACE DECIMAL ± ***	TWO PLACE DECIMAL ± ***
REV	3	MATERIAL: PBT		THREE PLACE DECIMAL ± ***	



ADVANCED ACOUSTIC TECHNOLOGY CORPORATION