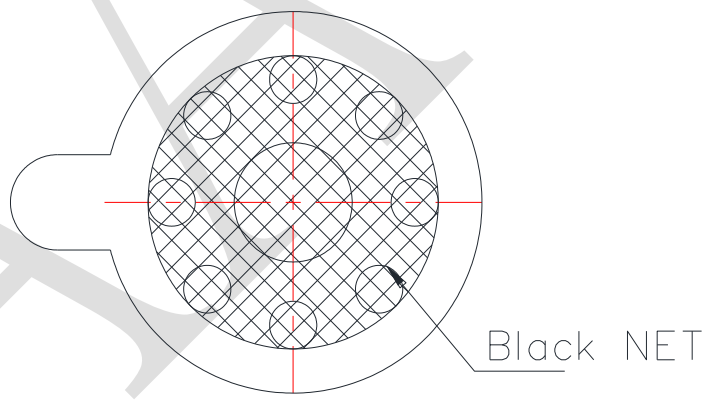
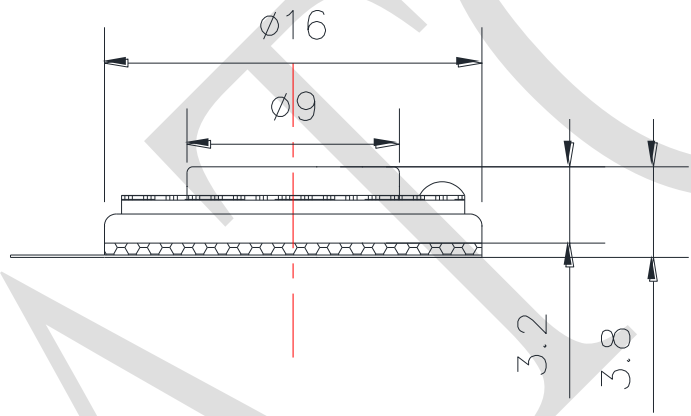
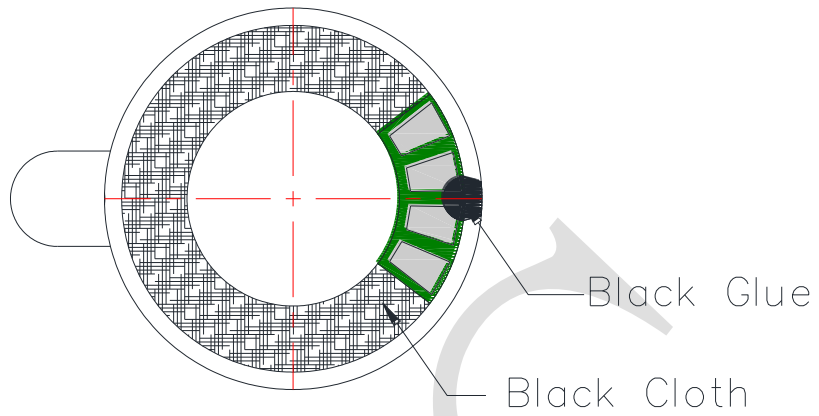


1. SPECIFICATION

AK-1608A-1

ITEM		SPECIFICATIONS	
01	Type	Dynamic speaker	
02	Dimension	External diameter 16 mm	
03	Rated Input Power	0.5 W	
04	Max. Input Power	0.8 W for 1 minute	
05	Impedance	$8\Omega \pm 15\%$ at 2 KHz 1V	
06	Resonance Frequency (Fo)	900 Hz $\pm 20\%$ at Fo, 1V	
07	Sound pressure level	83 dB(0.1W/0.1M) ± 3 dB	at AVE 1.0, 1.2, 15, 2.0KHz.
		89 dB(0.5W/0.1M) ± 3 dB	
08	Frequency Range	Fo – 10 K Hz	
09	Total Harmonics Distortion	Max 10 % at 1 KHz, 2.0V	

REV NO.	REVISION NOTE	APPROVAL	DATE
---------	---------------	----------	------



RoHS

TITLE: DYNAMIC SPEAKER		DRAWN: Sunny	2014/2/19	SCALE: 2:1	SHEET: 1:1
PART NO. AK-1608A-1		DESIGNED: R&D OF AAT	UNITS: mm		
DWG NO. CXS16038-R08W0.5-B-717		CHECKED:	TOLERANCE ± 0.5		
		APPROVAL:	UNLESS OTHERWISE SPECIFIED: ONE PLACE DECIMAL \pm *** TWO PLACE DECIMAL \pm *** THREE PLACE DECIMAL \pm ***		
REV	1	MATERIAL: SPCC			



ADVANCED ACOUSTIC TECHNOLOGY CORPORATION