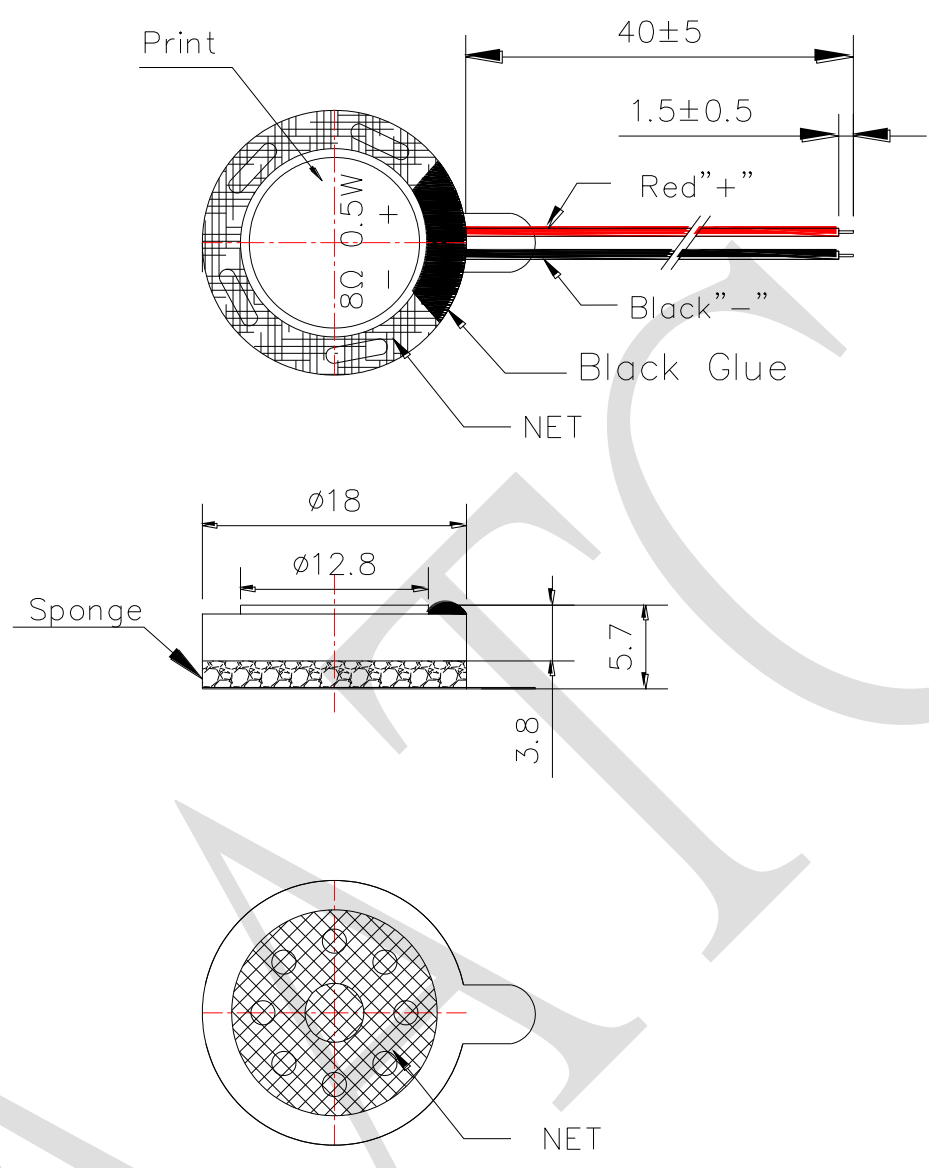


## 1. SPECIFICATION

AK-180805-PM-2W

ITEM		SPECIFICATIONS	
01	Type	Dynamic speaker	
02	Dimension	External diameter 18 mm	
03	Rated Input Power	0.5 W	
04	Max. Input Power	1.0 W for 1 minute	
05	Impedance	$8\Omega \pm 15\%$ at 1KHz 1V	
06	Resonance Frequency (Fo)	950 Hz $\pm$ 20% at Fo, 1V	
07	Sound pressure level	92 dB(0.5W/0.1M) $\pm$ 3 dB	at AVE 1.0K,1.2K,1.5,1.8KHz.
08	Frequency Range	Fo -20 K Hz	
09	Total Harmonics Distortion	Max 10 % at 1 KHz, 0.1W	

REV NO.	REVISION NOTE	APPROVAL	DATE
---------	---------------	----------	------



Wire: UL 1571, AWG32#

RoHS

TITLE: DYNAMIC SPEAKER		DRAWN: Zack	2017/02/24	SCALE: 2:1	SHEET: 1:1
PART NO. AK-180805-PM-2W		DESIGNED: R&D OF AAT	UNITS: mm		
DWG NO. CXS18057L40-R08W0.5-F		CHECKED:	TOLERANCE $\pm 0.5$		
		APPROVAL:	UNLESS OTHERWISE SPECIFIED:		
REV		MATERIAL: PBT	ONE PLACE DECIMAL $\pm$ ***		
			TWO PLACE DECIMAL $\pm$ ***		
			THREE PLACE DECIMAL $\pm$ ***		



**ADVANCED ACOUSTIC TECHNOLOGY CORPORATION**