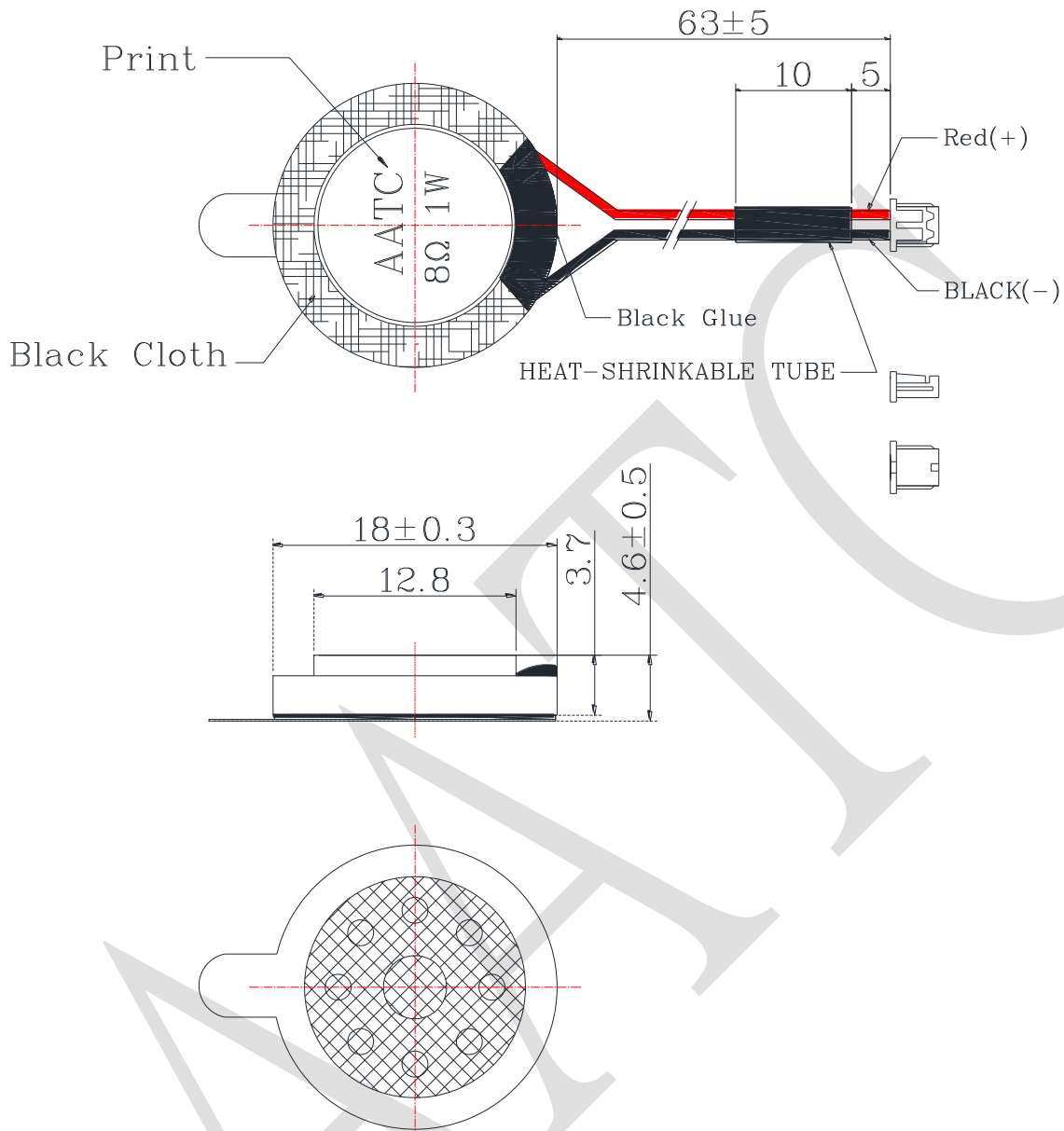


1. SPECIFICATION

AK-180810-PM-2CV1-IP67

ITEM		SPECIFICATIONS	
01	Type	Dynamic speaker	
02	Dimension	External diameter 18 mm	
03	Rated Input Power	1 W	
04	Max. Input Power	1.2 W for 1 minute	
05	Impedance	$8\Omega \pm 15\%$ at 2KHz 1V	
06	Resonance Frequency (Fo)	950 Hz \pm 20% at Fo, 1V	
07	Sound pressure level	94 dB(1.0W/0.1M) \pm 3 dB	at AVE 0.8, 1.2, 1.2, 1.5 KHz.
08	Frequency Range	Fo – 8K Hz	
09	Total Harmonics Distortion	Max 10 % at 2 KHz, 1.0W.	

REV NO.	REVISION NOTE	APPROVAL	DATE
---------	---------------	----------	------



WIRE: Equivalen to UL3302,AWG28#
CONNECTOR: Equivalent to Molex 51021-0200

RoHS

TITLE: DYNAMIC SPEAKER		DRAWN: Hank	2019/10/14	SCALE: 2:1	SHEET: 1:1
PART NO. AK-180810-PM-2CV1-IP67		DESIGNED: R&D OF AAT		UNITS: mm	TOLERANCE ± 0.5
DWG NO. JXS18-08-02L63S1.0		CHECKED:		UNLESS OTHERWISE SPECIFIED:	
REV 1		APPROVAL:		ONE PLACE DECIMAL ± ***	
		MATERIAL: Pastic		TWO PLACE DECIMAL ± ***	
				THREE PLACE DECIMAL ± ***	



ADVANCED ACOUSTIC TECHNOLOGY CORPORATION