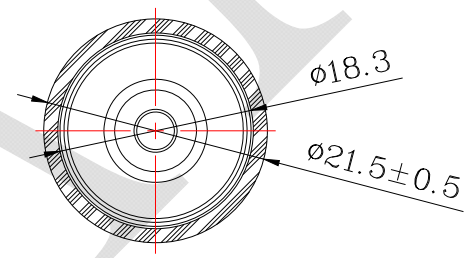
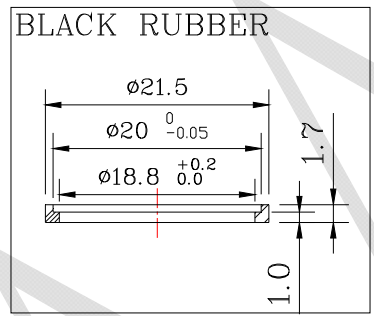
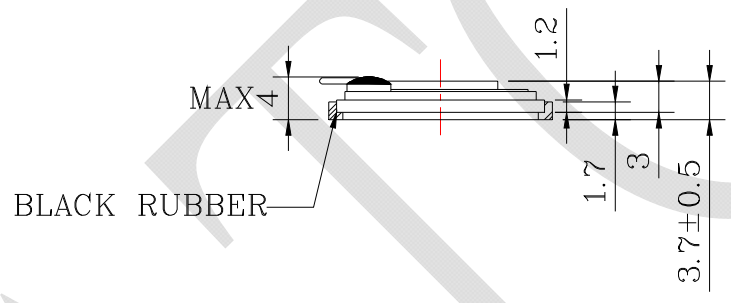
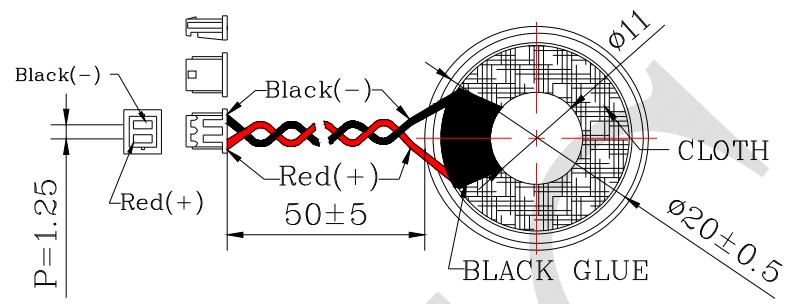


# 1. SPECIFICATION

AK-200805-MM-1C -IP45

ITEM		SPECIFICATIONS	
01	Type	Dynamic speaker	
02	Dimension	External diameter 20 mm	
03	Rated Input Power	0.5 W	
04	Max. Input Power	1.0 W for 1 minute	
05	Impedance	$8\Omega \pm 15\%$ at 2.0KHz	
06	Resonance Frequency (Fo)	900 Hz $\pm$ 20% at Fo	
07	Sound pressure level	92 dB(0.5W/0.1M) $\pm$ 3 dB	at AVE 0.8K,1.0K,1.2K,1.5K Hz..
08	Frequency Range	Fo – 10K Hz	
09	Total Harmonics Distortion	Max 10 % at 1 KHz, 0.1W	
11	Magnet	Rare earth permanent (Nd-Fe-B) magnet $\Phi$ 8.2x 1.0 mm	
12	Weight	2.5g $\pm$ 0.5g	
13	Appearance	Should not exist any obstacle to be harmful to normal operation; damages, cracks, rusts and distortions, etc.	
14	Operation Test	Must be normal at program source 0.5W	
15	Buzz, Rattle, etc.	Should not be audible at 2.0V sine wave between Fo to 20KHz	
16	Polarity	When positive voltage is applied to the terminal marked (+), diaphragm should move to the front.	
17	Terminal Strength	Capable of withstand 1kg load for 15 seconds without resulting in any damage or rejection.	
18	Temperature	Operating temperature: -20°C to +60°C Storage temperature: -30°C to +70°C	

REV NO.	REVISION NOTE	APPROVAL	DATE
---------	---------------	----------	------



WIRE:UL1571,AWG28#  
CONNECTOR:Equivalent to MOLEX 51021-0200

RoHS

TITLE: DYNAMIC SPEAKER		DRAWN: <i>Moose</i> 2017/01/05	SCALE: 2:1	SHEET: 1:1
PART NO. AK-200805-MM-1C-IP45		DESIGNED: R&D OF AAT	UNITS: mm	
DWG NO. UGS2008-20AC50-01	1 REV	CHECKED:	TOLERANCE ± 0.5	
		APPROVAL:	UNLESS OTHERWISE SPECIFIED:	
		MATERIAL: SPCC	ONE PLACE DECIMAL ± ***	
			TWO PLACE DECIMAL ± ***	
			THREE PLACE DECIMAL ± ***	



**ADVANCED ACOUSTIC TECHNOLOGY CORPORATION**