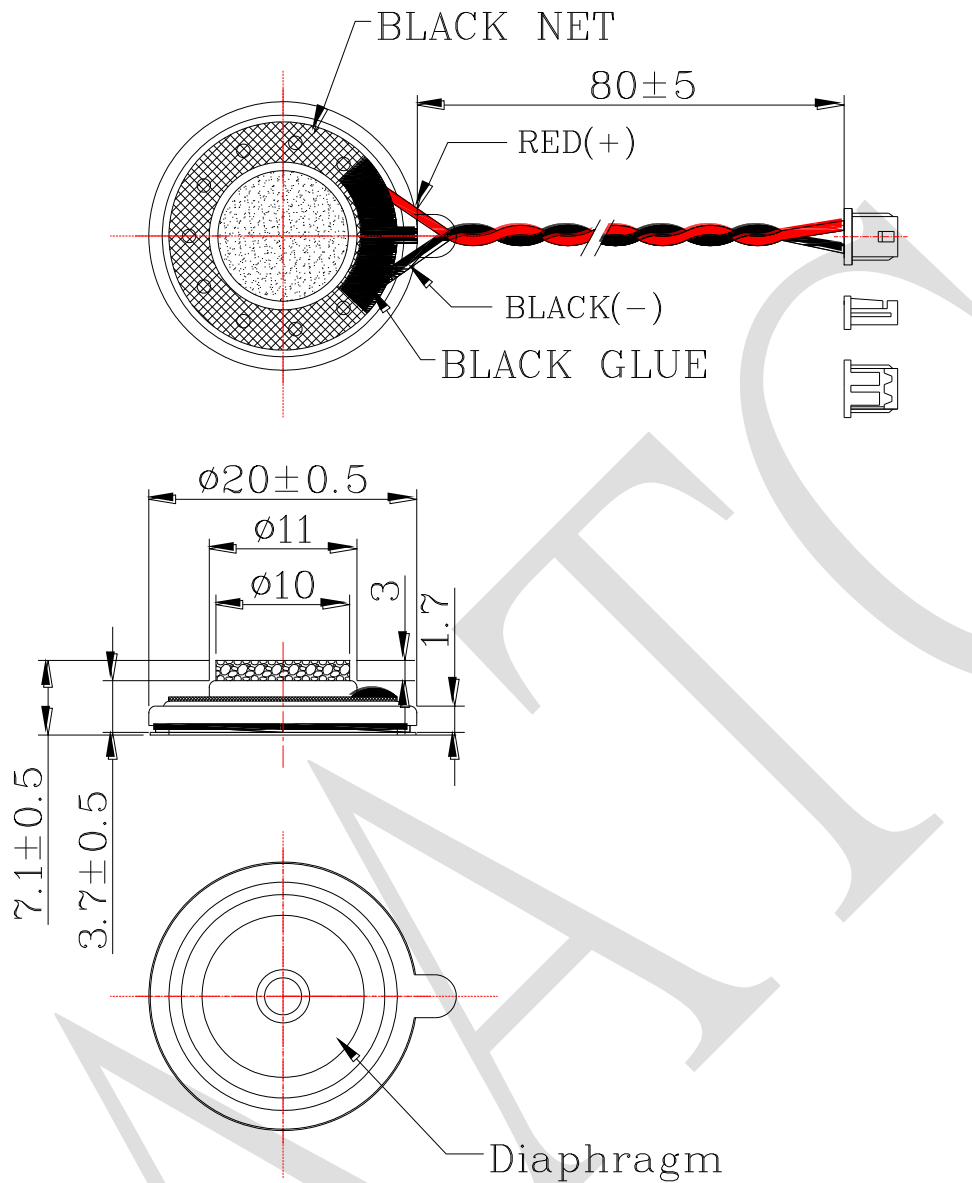


1. SPECIFICATION

AK-200810-MM-1CV4

ITEM		SPECIFICATIONS	
01	Type	Dynamic speaker	
02	Dimension	External diameter 20 mm	
03	Rated Input Power	1.0 W	
04	Max. Input Power	1.5 W for 1 minute	
05	Impedance	$8\Omega \pm 15\%$ at 2KHz 1V	
06	Resonance Frequency (Fo)	1150 Hz \pm 20% at Fo, 1V	
07	Sound pressure level	94 dB(1.0W/0.1M) \pm 3 dB	at AVE 1.0K 1.2K 1.5K 1.8KHz.
08	Frequency Range	Fo – 20 K Hz	
09	Total Harmonics Distortion	Max 10 % at 1 KHz, 1.0W	

REV NO.	REVISION NOTE	APPROVAL	DATE
---------	---------------	----------	------



RoHS

TITLE: DYNAMIC SPEAKER		DRAWN: Moose 2017-09-01	SCALE: 2:1	SHEET: 1:1
PART NO. AK-200810-MM-1CV4		DESIGNED: R&D OF AAT	UNITS: mm	
DWG NO. CXS20071LP100-R08W1.0-B		CHECKED:	TOLERANCE ± 0.5	
		APPROVAL:	UNLESS OTHERWISE SPECIFIED: ONE PLACE DECIMAL ± *** TWO PLACE DECIMAL ± *** THREE PLACE DECIMAL ± ***	
REV		MATERIAL: SPCC		



ADVANCED ACOUSTIC TECHNOLOGY CORPORATION