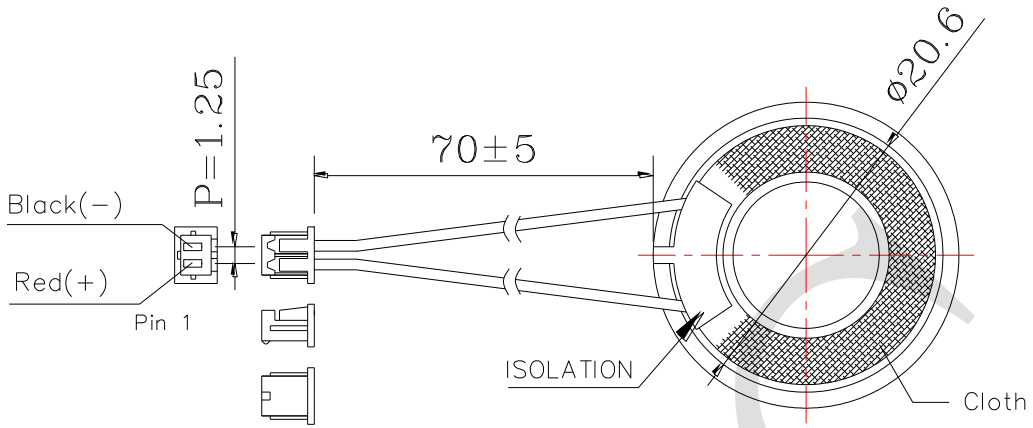


1. SPECIFICATION

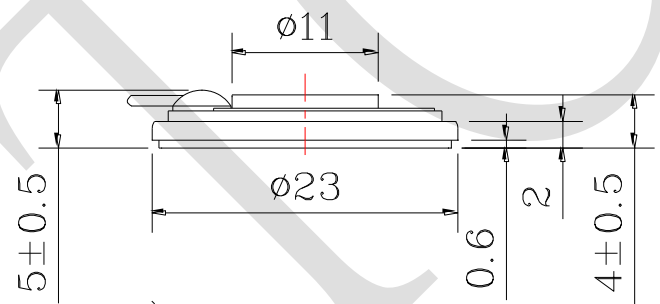
AK-2308EB-8C

ITEM		SPECIFICATIONS	
01	Type	Dynamic speaker	
02	Dimension	External diameter 23 mm	
03	Rated Input Power	1.0 W	
04	Max. Input Power	2.0 W for 1 minute	
05	Impedance	$8\Omega \pm 15\%$ at 2 KHz 1V	
06	Resonance Frequency (Fo)	820 Hz $\pm 20\%$ at Fo, 1V	
07	Sound pressure level	88 dB(0.1W/0.1M) ± 3 dB	at AVE 1.0, 1.2, 1.6, 2.0 KHz.
		97 dB(1.0W/0.1M) ± 3 dB	
08	Frequency Range	Fo – 5 K Hz	
09	Total Harmonics Distortion	Max 10 % at 1 KHz, 1.5V.	

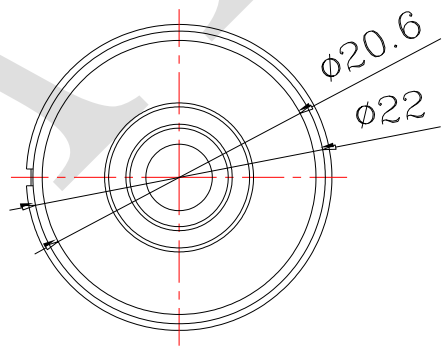
REV NO.	REVISION NOTE	APPROVAL	DATE
---------	---------------	----------	------



CONNECTOR : Equivalent to MOLEX 51021-0200
 WIRE : UL 1571 , 28 AWG .



CASE : Fe alloy .
 DIAPHRAGM : BLACK MYLAR (HIGH TEMP.)



RoHS

TITLE: <i>DYNAMIC SPEAKER</i>		DRAWN: Zack	2016/03/21	SCALE: 2:1	SHEET: 1:1
PART NO. <i>AK-2308EB-8C</i>		DESIGNED: R&D OF AAT	UNITS: mm		
DWG NO. <i>UGS2308-02WC70</i>		CHECKED:	TOLERANCE ± 0.5		
		APPROVAL:	UNLESS OTHERWISE SPECIFIED:		
REV 4		MATERIAL: SPCC	ONE PLACE DECIMAL ± ***		
			TWO PLACE DECIMAL ± ***		
			THREE PLACE DECIMAL ± ***		



ADVANCED ACOUSTIC TECHNOLOGY CORPORATION