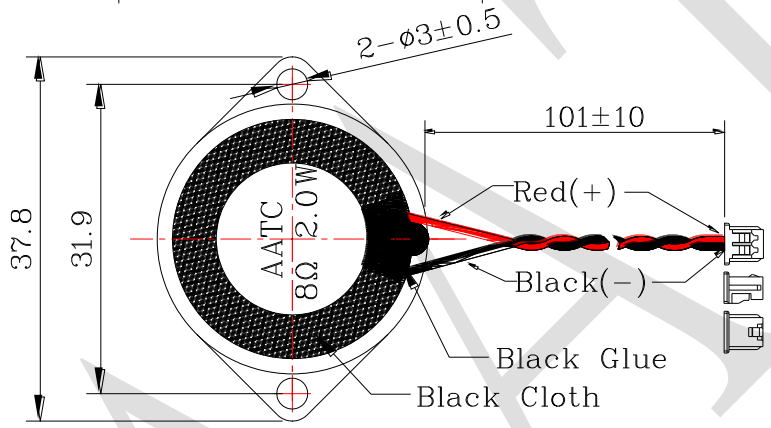
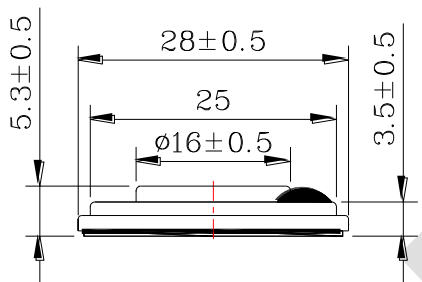
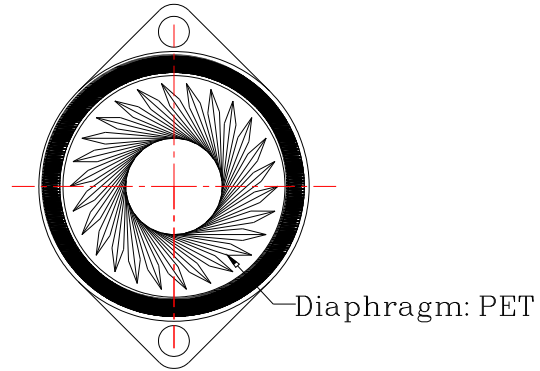


## 1. SPECIFICATION

AK-280820-MM-5C

ITEM		SPECIFICATIONS	
01	Type	Dynamic speaker	
02	Dimension	External diameter 28 mm	
03	Rated Input Power	2.0 W	
04	Max. Input Power	2.2 W for 1 minute	
05	Impedance	$8\Omega \pm 15\%$ at 2KHz 1V	
06	Resonance Frequency (Fo)	650Hz $\pm$ 20% at Fo, 1V	
07	Sound pressure level	96 dB(2.0W/0.1M) $\pm$ 3 dB	at AVE1.0, 1.2, 1.5, 2.0 KHz.
08	Frequency Range	Fo – 20 K Hz	
09	Total Harmonics Distortion	Max 10 % at 1 KHz, 1.0W.	

REV NO.	REVISION NOTE	APPROVAL	DATE
---------	---------------	----------	------



WIRE:UL1571, AWG28#  
CONNECTOR:Equivalent to MOLEX 51021-0200

RoHS

TITLE: DYNAMIC SPEAKER		DRAWN: <b>Moose</b> 2018-06-12	SCALE: 2:1	SHEET: 1:1
PART NO. AK-280820-MM-5C1		DESIGNED: R&D OF AAT	UNITS: mm	
DWG NO. UGS2808-73WC101-03		CHECKED:	TOLERANCE ± 0.5	
		APPROVAL:	UNLESS OTHERWISE SPECIFIED	
REV 1		MATERIAL: SPCC	ONE PLACE DECIMAL ± ***	
			TWO PLACE DECIMAL ± ***	
			THREE PLACE DECIMAL ± ***	



**ADVANCED ACOUSTIC TECHNOLOGY CORPORATION**