

1. SPECIFICATION

AK-2808AB-18

ITEM		SPECIFICATIONS	
01	Type	Dynamic speaker	
02	Dimension	External diameter 28 mm	
03	Rated Input Power	0.3 W	
04	Max. Input Power	0.5 W for 1 minute	
05	Impedance	$8\Omega \pm 15\%$ at 2 KHz 1V	
06	Resonance Frequency (Fo)	750 Hz \pm 20% at Fo, 1V	
07	Sound pressure level	90 dB(0.1W/0.1M) \pm 3 dB	at AVE 0.8, 1.0, 1.2, 1.6 KHz.
		94 dB(0.3W/0.1M) \pm 3 dB	
08	Frequency Range	Fo – 7 K Hz	
09	Total Harmonics Distortion	Max 10 % at 1 KHz, 1.5V.	
10	Voice Coil	Diameter 10.5 mm	
11	Magnet	Rare earth permanent (NdFeB) magnet Φ 9 x 1.5 mm	
12	Weight	5.2 g \pm 0.5 g	
13	Appearance	Should not exist any obstacle to be harmful to normal operation; damages, cracks, rusts and distortions, etc.	
14	Operation Test	Must be normal at program source 0.3 W	
15	Buzz, Rattle, etc.	Should not be audible at 1.55 V sine wave between Fo to 20KHz	
16	Polarity	When positive voltage is applied to the terminal marked (+), diaphragm should move to the front.	
17	Terminal Strength	Capable of withstand 1kg load for 15 seconds without resulting in any damage or rejection.	
18	Temperature	Operating temperature: -20°C to +60°C	
		Storage temperature: -30°C to +70°C	

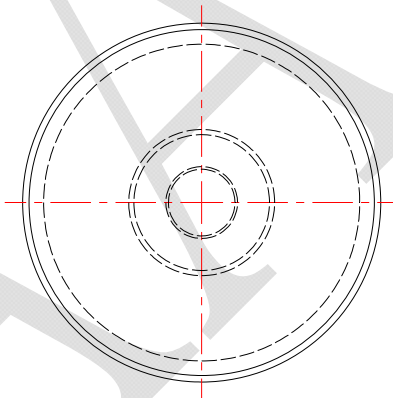
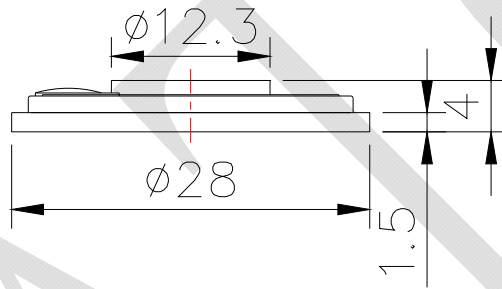
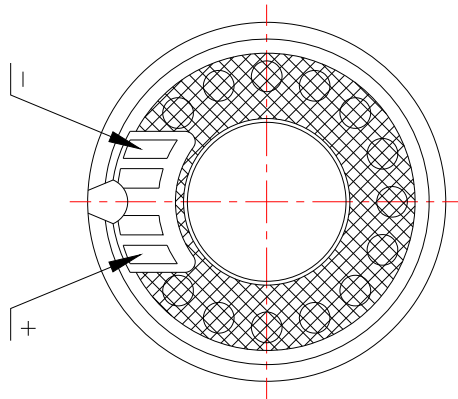
RoHS

REV NO.

REVISION NOTE

APPROVAL

DATE



RoHS

TITLE: DYNAMIC SPEAKER		DRAWN: <i>Jack</i> 2014/03/07	SCALE: 2:1	SHEET: 1:1
PART NO. AK-2808AB-18	2 REV	DESIGNED: R&D OF AAT	UNITS: mm	
DWG NO. UGS2808-16-02		CHECKED:	TOLERANCE ± 0.5	
		APPROVAL:	UNLESS OTHERWISE SPECIFIED: ONE PLACE DECIMAL ± *** TWO PLACE DECIMAL ± *** THREE PLACE DECIMAL ± ***	
		MATERIAL: *****		



ADVANCED ACOUSTIC TECHNOLOGY CORPORATION