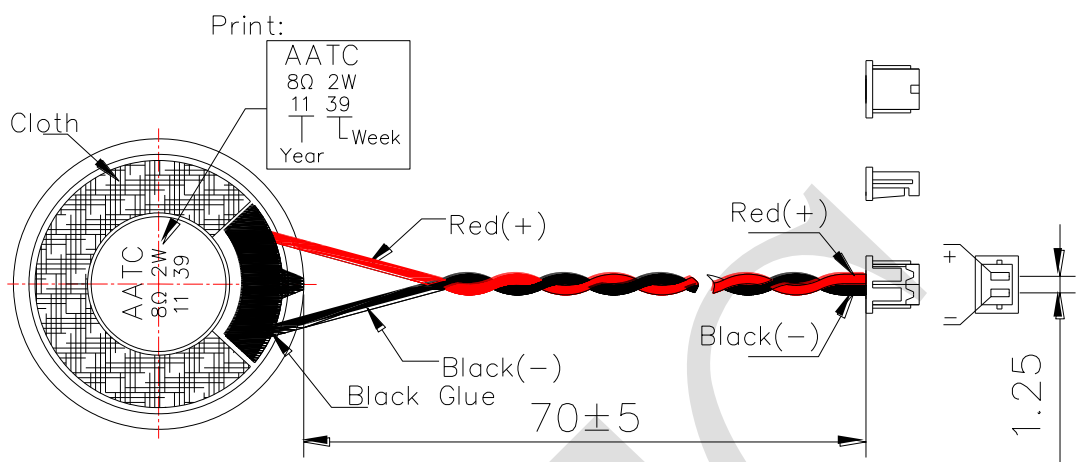


1. SPECIFICATION

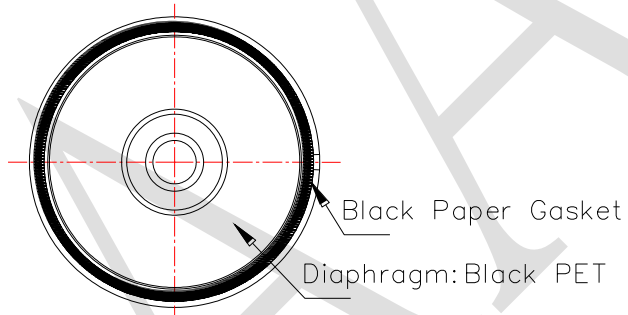
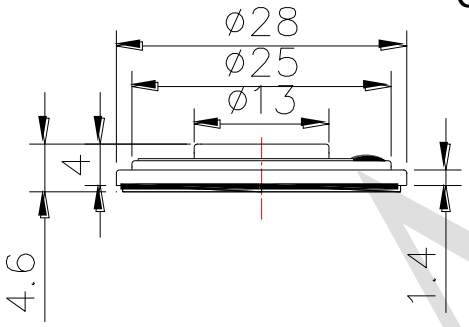
AK-2808AB-32C

ITEM		SPECIFICATIONS	
01	Type	Dynamic speaker	
02	Dimension	External diameter 28 mm	
03	Rated Input Power	2.0 W	
04	Max. Input Power	2.5 W for 1 minute	
05	Impedance	$8\Omega \pm 15\%$ at 2.0KHz 1V	
06	Resonance Frequency (Fo)	650Hz \pm 20% at Fo, 1V	
07	Sensitivity (S.P.L.)	74 dB(1.0W/1.0M) \pm 3 dB	at AVE0.8, 1.0, 1.2, 1.5 KHz.
		97 dB(2.0W/0.1M) \pm 3 dB	
08	Frequency Range	Fo – 8 K Hz	
09	Total Harmonics Distortion	Max 10 % at 1 KHz, 1.5V.	

REV NO.	REVISION NOTE	APPROVAL	DATE
---------	---------------	----------	------



Wires: UL1571,30#AWG ;
 Connector : Equivalent to Molex 51021-0200 .



RoHS

TITLE: DYNAMIC SPEAKER		DRAWN: Zack	2012/8/21	SCALE: 2:1	SHEET: 1:1
PART NO. AK-2808AB-32C		DESIGNED: R&D OF AAT	UNITS: mm		
DWG NO. CA-K12020301		CHECKED:	TOLERANCE ± 0.5		
		APPROVAL:	UNLESS OTHERWISE SPECIFIED: ONE PLACE DECIMAL ± *** TWO PLACE DECIMAL ± *** THREE PLACE DECIMAL ± ***		
REV	2	MATERIAL: SPCC			



ADVANCED ACOUSTIC TECHNOLOGY CORPORATION