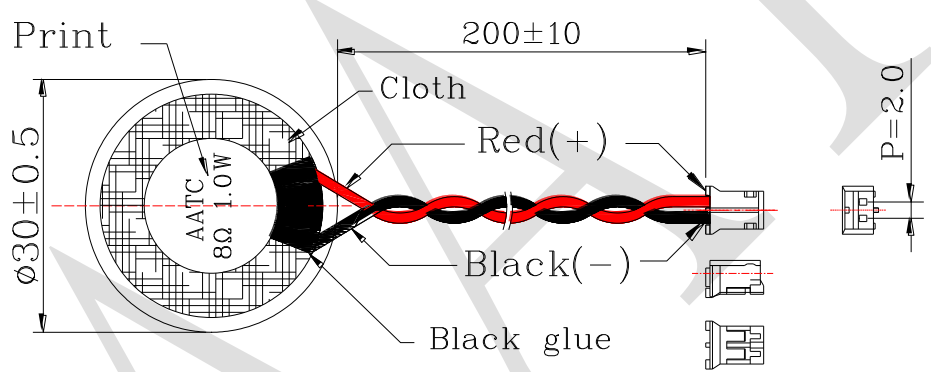
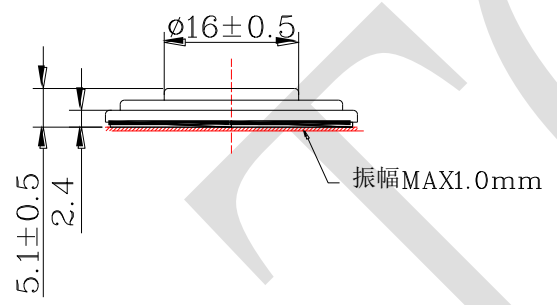
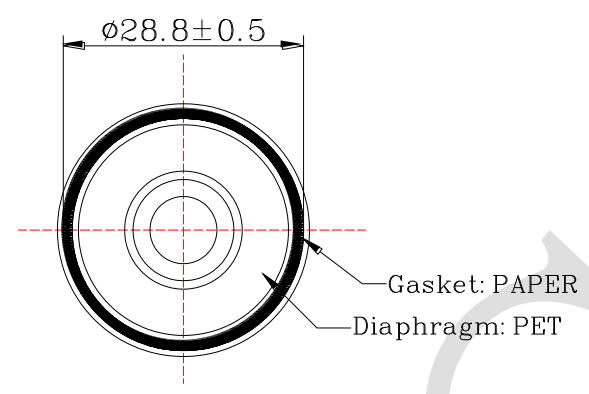


1. SPECIFICATION

AK-300810-MM-4C2

ITEM		SPECIFICATIONS	
01	Type	Dynamic speaker	
02	Dimension	External diameter 30 mm	
03	Rated Input Power	1.0W	
04	Max. Input Power	1.5 W for 1 minute	
05	Impedance	$8\Omega \pm 15\%$ at 1KHz 1V	
06	Resonance Frequency (Fo)	600Hz \pm 20% at Fo, 1V	
07	Sound pressure level	96 dB(1.0W/0.1M) \pm 3 dB	at AVE 0.8,1.0, 1.2, 1.5 KHz.
08	Frequency Range	Fo -6 K Hz	
09	Total Harmonics Distortion	Max 10 % at 1 KHz, 1.0W.	

REV NO.	REVISION NOTE	APPROVAL	DATE
---------	---------------	----------	------



Wire: UL1571,AWG28#
Connector: Equivalent to JST PHR-2

RoHS

TITLE: DYNAMIC SPEAKER		DRAWN: Zaxk	2019/07/31	SCALE: 2:1	SHEET: 1:1
PART NO. AK-300810-MM-4C2		DESIGNED: R&D OF AAT		UNITS: mm	TOLERANCE ± 0.5
DWC NO. CXS30051LP200-R08W1.0-E2		CHECKED:		UNLESS OTHERWISE SPECIFIED:	
REV 1		APPROVAL:		ONE PLACE DECIMAL ± ***	
		MATERIAL: SPCC		TWO PLACE DECIMAL ± ***	
				THREE PLACE DECIMAL ± ***	



ADVANCED ACOUSTIC TECHNOLOGY CORPORATION