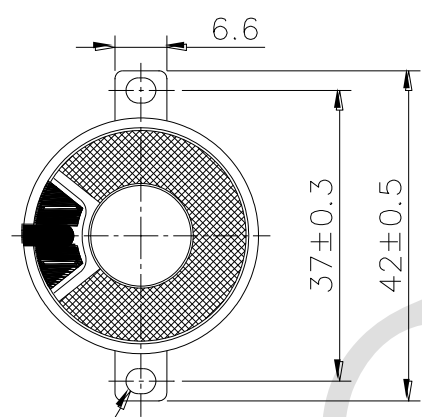


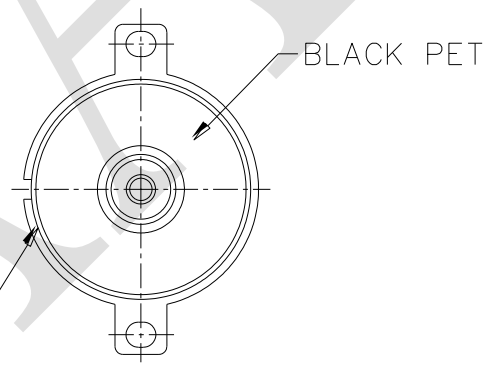
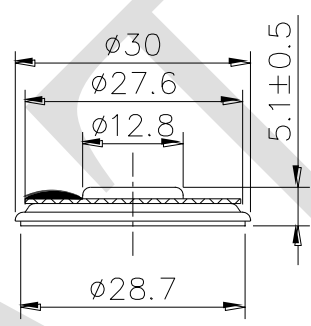
1. SPECIFICATION

AK-3008AB-4-LF

ITEM		SPECIFICATIONS	
01	Type	Dynamic speaker	
02	Dimension	External diameter 30 mm	
03	Rated Input Power	1.0 W	
04	Max. Input Power	1.5 W for 1 minute	
05	Impedance	$8\Omega \pm 15\%$ at 2 KHz 1V	
06	Resonance Frequency (Fo)	610 Hz $\pm 20\%$ at Fo, 1V	
07	Sound pressure level	90dB(0.1W/0.1M) ± 3 dB	at AVE 0.8,1.0,1.2,1.5 KHz.
		99dB(1.0W/0.1M) ± 3 dB	
08	Frequency Range	Fo – 5.5 K Hz	
09	Total Harmonics Distortion	Max 10 % at 1 KHz, 1.5V.	



2-3.6*3.0 HOLES



GASKET (PAPER BLACK)

BLACK PET

RoHS

<i>TITLE:</i> DYNAMIC SPEAKER		<i>DRAWN:</i> Zack	2015/11/02	<i>SCALE:</i> 2:1	<i>SHEET:</i> 1:1
<i>PART NO.</i> AK-3008AB-4-LF		<i>DESIGNED:</i> R&D OF AAT	<i>UNITS:</i> mm		
<i>DWG NO.</i> DTS-1197	3	<i>CHECKED:</i>	<i>TOLERANCE</i> ± 0.5		
		<i>APPROVAL:</i>	<i>UNLESS OTHERWISE SPECIFIED:</i>		
		<i>MATERIAL:</i> SPCC	ONE PLACE DECIMAL ± ***		
				TWO PLACE DECIMAL ± ***	
				THREE PLACE DECIMAL ± ***	



ADVANCED ACOUSTIC TECHNOLOGY CORPORATION