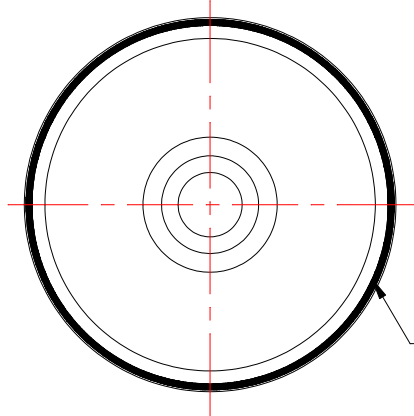


1. SPECIFICATION

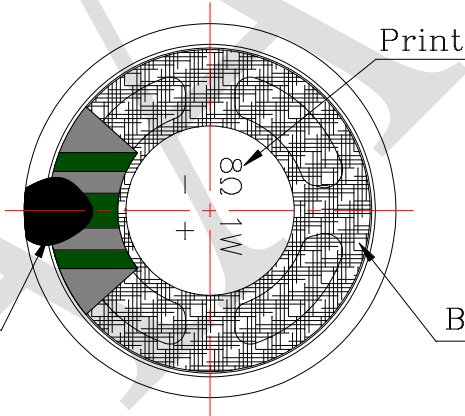
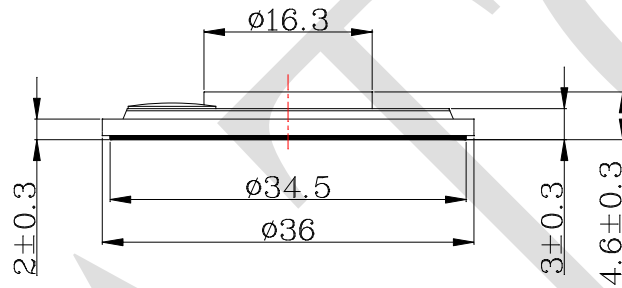
AK-3608BB-17-LF-1

ITEM		SPECIFICATIONS	
01	Type	Dynamic speaker	
02	Dimension	External diameter 36 mm	
03	Rated Input Power	1.0 W	
04	Max. Input Power	1.5 W for 1 minute	
05	Impedance	$8\Omega \pm 15\%$ at 2.0KHz 1V	
06	Resonance Frequency (Fo)	550 Hz \pm 20% at Fo, 1V	
07	Sensitivity (S.P.L.)	93dB(0.1W/0.1M) \pm 3 dB	at AVE 0.8, 1.0, 1.2, 1.5 KHz.
		102 dB(1.0W/0.1M) \pm 3 dB	
08	Frequency Range	Fo – 6 K Hz	
09	Total Harmonics Distortion	Max 10 % at 2 KHz, 1.0W.	

REV NO.	REVISION NOTE	APPROVAL	DATE
---------	---------------	----------	------



Black Paper Gasket



Print

Black Glue

Black Cloth

RoHS

TITLE: DYNAMIC SPEAKER		DRAWN: SUNNY 2017-5-10	SCALE: 2:1	SHEET: 1:1
PART NO. AK-3608BB-17-LF-1	1	DESIGNED: R&D OF AAT	UNITS: mm	
DWG NO. CA-K17051001		CHECKED:	TOLERANCE ± 0.5	
REV		APPROVAL:	UNLESS OTHERWISE SPECIFIED: ONE PLACE DECIMAL ± *** TWO PLACE DECIMAL ± *** THREE PLACE DECIMAL ± ***	
		MATERIAL: SPCC		



ADVANCED ACOUSTIC TECHNOLOGY CORPORATION