

1. SPECIFICATION

AK-3608BB-6-LF

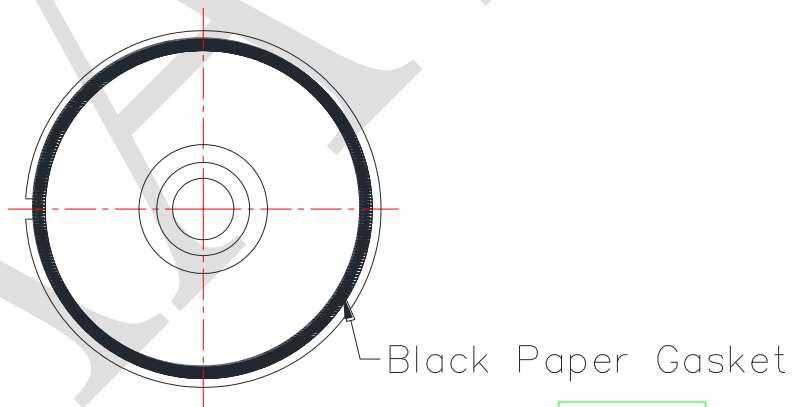
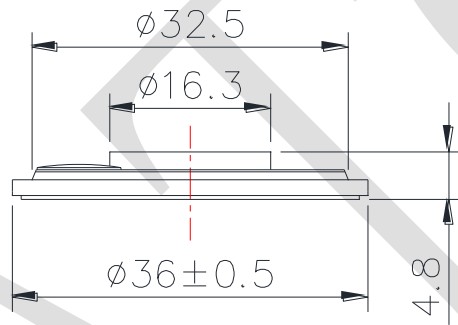
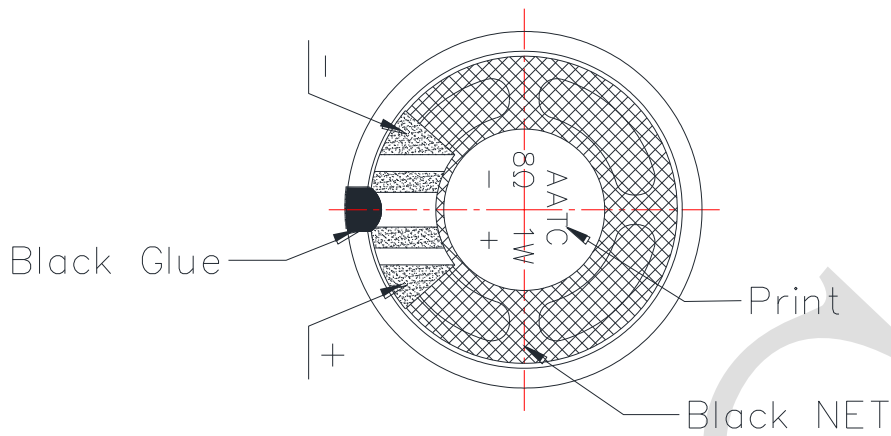
ITEM		SPECIFICATIONS	
01	Type	Dynamic speaker	
02	Dimension	External diameter 36 mm	
03	Rated Input Power	1.0 W	
04	Max. Input Power	1.5 W for 1 minute	
05	Impedance	$8\Omega \pm 15\%$ at 2KHz 1V	
06	Resonance Frequency (Fo)	530 Hz $\pm 20\%$ at Fo, 1V	
07	Sound pressure level	85 dB(W/M) ± 3 dB	at AVE 0.8,1.0,1.2,1.6KHz.
		104dB(1.0W/0.1M) ± 3 dB	
08	Frequency Range	Fo – 6 K Hz	
09	Total Harmonics Distortion	Max 10 % at 1 KHz, 1.0W	

REV NO.

REVISION NOTE

APPROVAL

DATE



RoHS

TITLE: DYNAMIC SPEAKER

DRAWN: Sunny 2014/4/10

SCALE: 2:1

SHEET: 1:1

PART NO. AK-3608BB-6-LF

3

DESIGNED: R&D OF AAT

UNITS: mm

CHECKED:

TOLERANCE ± 0.5

APPROVAL:

UNLESS OTHERWISE SPECIFIED:

DWG NO. ****_*****

REV

MATERIAL: SPCC

ONE PLACE DECIMAL \pm ***

TWO PLACE DECIMAL \pm ***

THREE PLACE DECIMAL \pm ***



ADVANCED ACOUSTIC TECHNOLOGY CORPORATION