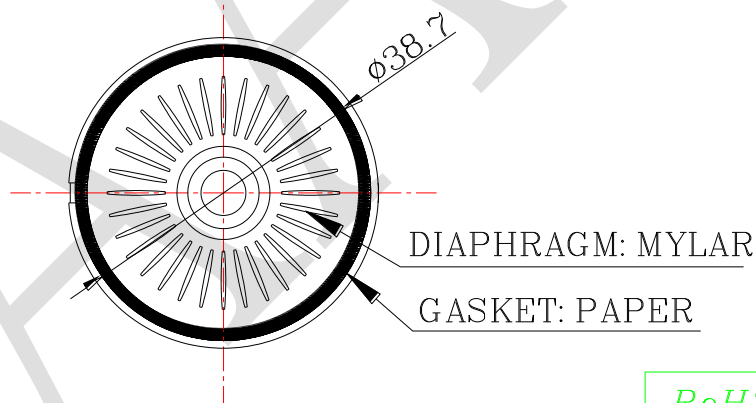
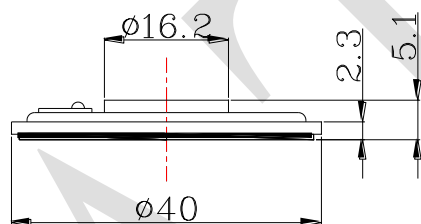
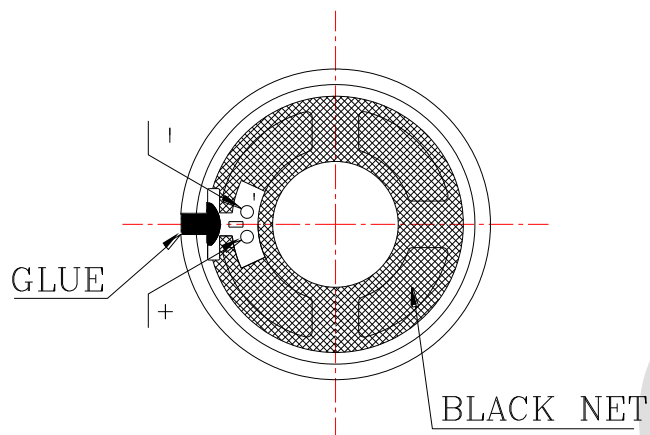


## 1. SPECIFICATION

AK-4008BB-6-LF

ITEM		SPECIFICATIONS	
01	Type	Dynamic speaker	
02	Dimension	External diameter 40 mm	
03	Rated Input Power	1.0 W	
04	Max. Input Power	1.5 W for 1 minute	
05	Impedance	$8\Omega \pm 15\%$ at 1.5KHz 1V	
06	Resonance Frequency (Fo)	600 Hz $\pm$ 20% at Fo, 1V	
07	Sound pressure level	83 dB(1.0W/1.0M) $\pm$ 3 dB	at AVE 0.8 , 1.0 , 1.2 , 1.5KHz.
		102 dB(1.0W/0.1M) $\pm$ 3 dB	
08	Frequency Range	Fo – 6 K Hz	
09	Total Harmonics Distortion	Max 10 % at 1 KHz, 1.5V.	

REV NO.	REVISION NOTE	APPROVAL	DATE
---------	---------------	----------	------



RoHS

TITLE: DYNAMIC SPEAKER		DRAWN: Jerry	2013/12/16	SCALE: 2:1	SHEET: 1:1
PART NO. AK-4008BB-6-LF	3	DESIGNED: R&D OF AAT	UNITS: mm		
DWG NO. UGS4008-01C		CHECKED:	TOLERANCE $\pm 0.5$		
		APPROVAL:	UNLESS OTHERWISE SPECIFIED:		
		REV	MATERIAL: *****	ONE PLACE DECIMAL $\pm$ ***	
				TWO PLACE DECIMAL $\pm$ ***	
				THREE PLACE DECIMAL $\pm$ ***	



ADVANCED ACOUSTIC TECHNOLOGY CORPORATION