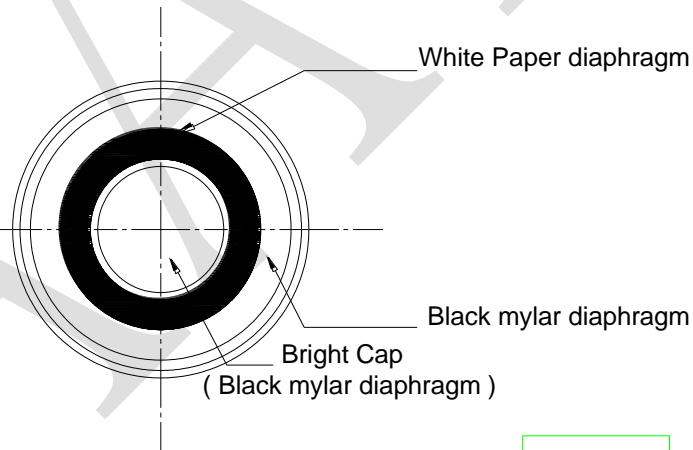
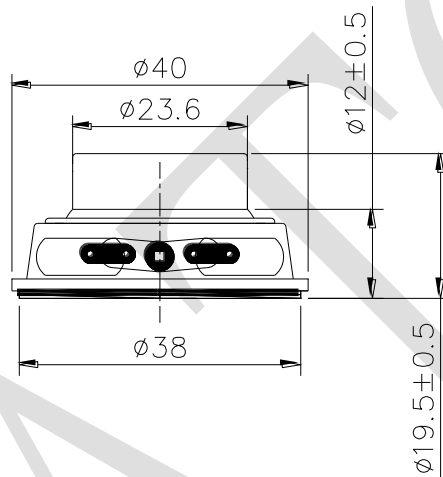
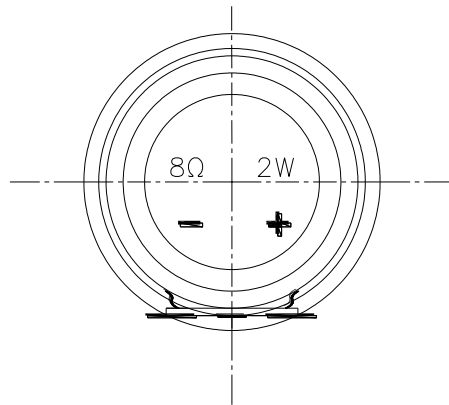


## 1. SPECIFICATION

AK-4008JB-0

ITEM		SPECIFICATIONS	
01	Type	Dynamic speaker	
02	Dimension	External diameter 40 mm	
03	Rated Input Power	2.0 W	
04	Max. Input Power	3.0 W for 1 minute.	
05	Impedance	8ohm $\pm$ 15% at 2 KHz	
06	Resonance Frequency (Fo)	235 Hz $\pm$ 20% at Fo, 1V	
07	Sensitivity (S.P.L.)	82 dB(1.0W/0.5M) $\pm$ 3 dB	at 1K Hz.
		96dB(1.0W/0.1M) $\pm$ 3 dB	
08	Frequency Range	Fo – 20K Hz	
09	Total Harmonics Distortion	Max 10 % at 1 KHz,2.0W.	

REV NO.	REVISION NOTE	APPROVAL	DATE
---------	---------------	----------	------



RoHS

TITLE: DYNAMIC SPEAKER		DRAWN: Zack	2012/10/29	SCALE: 2:1	SHEET: 1:1
PART NO. AK-4008JB-0	2	DESIGNED: R&D OF AAT	UNITS: mm		
DWG NO. AK-08080702		CHECKED:	TOLERANCE ± 0.5		
REV		APPROVAL:	UNLESS OTHERWISE SPECIFIED: ONE PLACE DECIMAL ± *** TWO PLACE DECIMAL ± *** THREE PLACE DECIMAL ± ***		
		MATERIAL: *****			



**ADVANCED ACOUSTIC TECHNOLOGY CORPORATION**