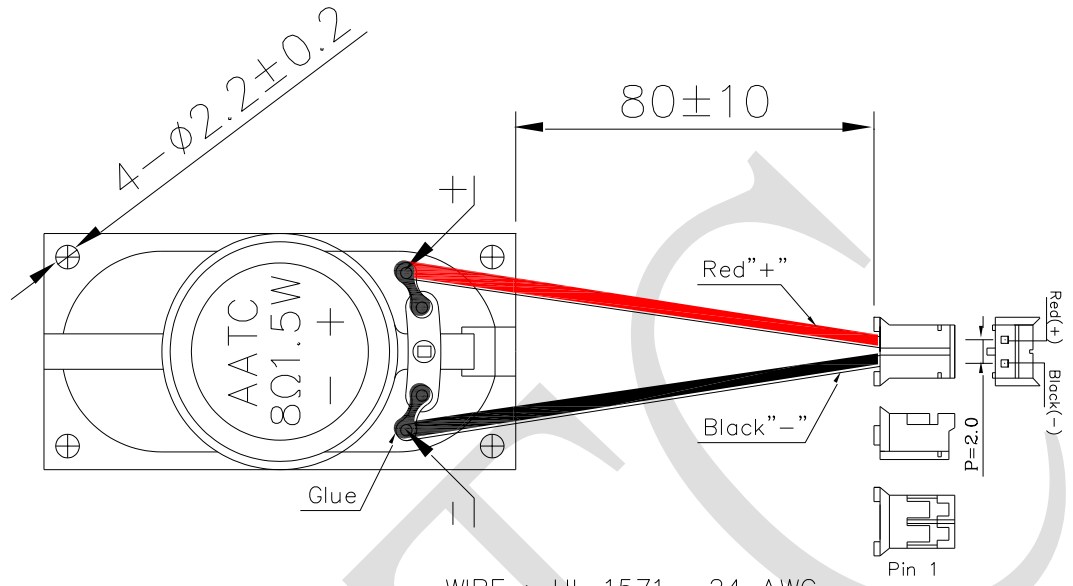


1. SPECIFICATION

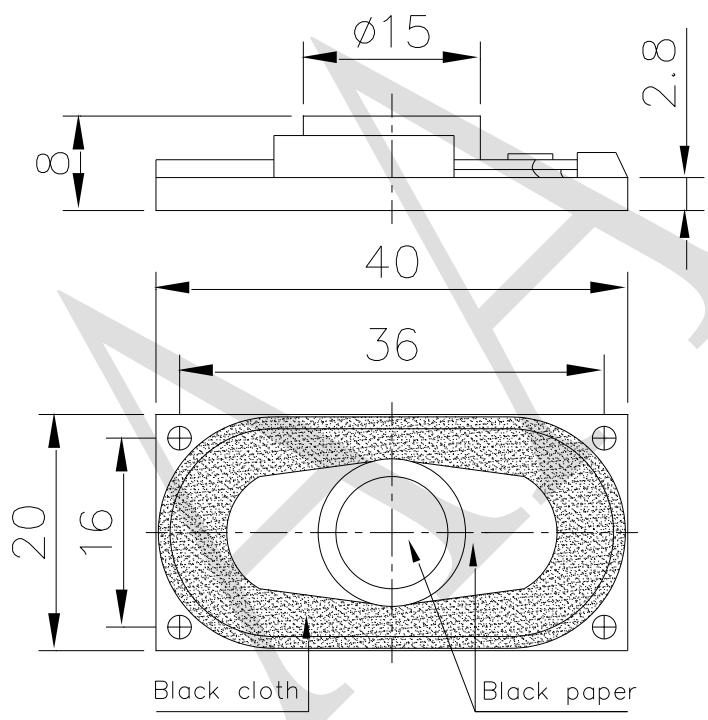
AK-402008CC-12C

ITEM		SPECIFICATIONS	
01	Type	Dynamic speaker	
02	Dimension	External diameter 40X20 mm	
03	Rated Input Power	1.5 W	
04	Max. Input Power	2.0 W for 1 minute	
05	Impedance	$8\Omega \pm 15\%$ at 2KHz 1V	
06	Resonance Frequency (Fo)	700 Hz \pm 20% at Fo, 1V	
07	Sensitivity (S.P.L.)	82 dB(1.0W/0.5M) \pm 3 dB	at AVE 0.8, 1.0, 1.2, 1.5 KHz.
		98 dB(1.5W/0.1M) \pm 3 dB	
08	Frequency Range	Fo – 20 K Hz	
09	Total Harmonics Distortion	Max 10 % at 1 KHz, 1.0W.	

REV NO.	REVISION NOTE	APPROVAL	DATE
---------	---------------	----------	------



WIRE : UL 1571 , 24 AWG .
CONNECTOR : Equivalent to JST PHR-2.



RoHS

TITLE: DYNAMIC SPEAKER		DRAWN: Jason	2011/12/21	SCALE: 2:1	SHEET: 1 of 1
PART NO. AK-402008CC-12C		DESIGNED: R&D OF AAT	UNITS: mm		
DWG NO. YGDA2040G-8A		CHECKED:	TOLERANCE ± 0.5		
		APPROVAL:	UNLESS OTHERWISE SPECIFIED:		
REV 1		MATERIAL: ABS	ONE PLACE DECIMAL ± ***		
			TWO PLACE DECIMAL ± ***		
			THREE PLACE DECIMAL ± ***		



苙翔科技股份有限公司
ADVANCED ACOUSTIC TECHNOLOGY CORPORATION