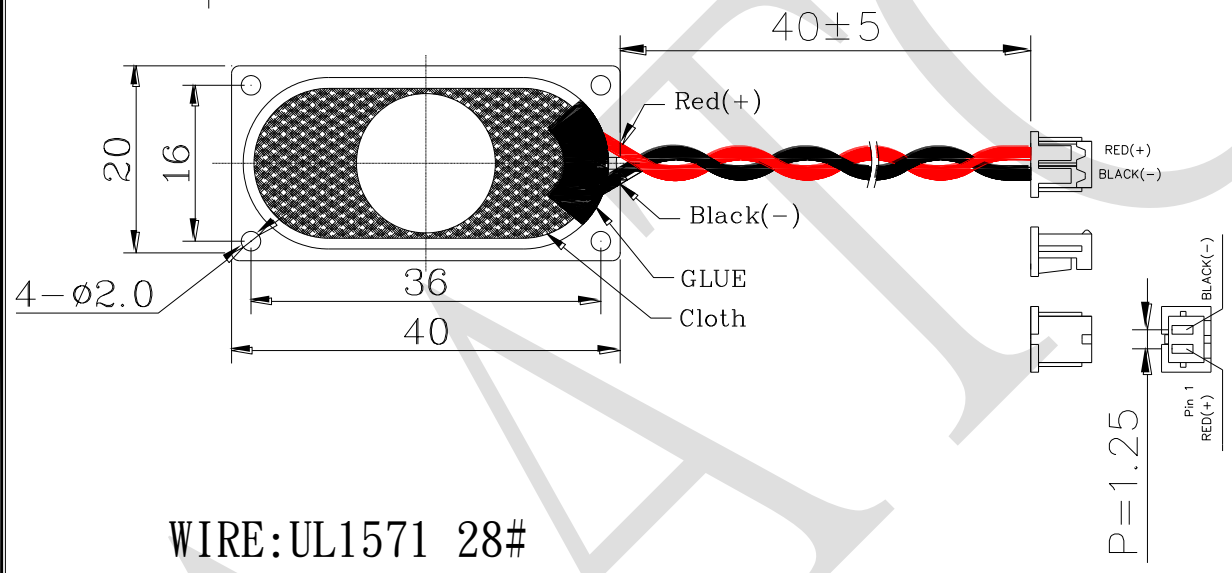
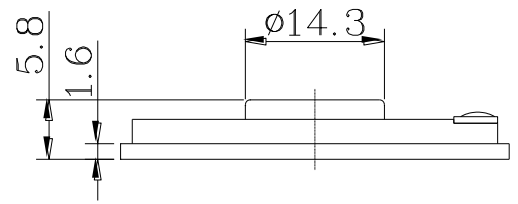
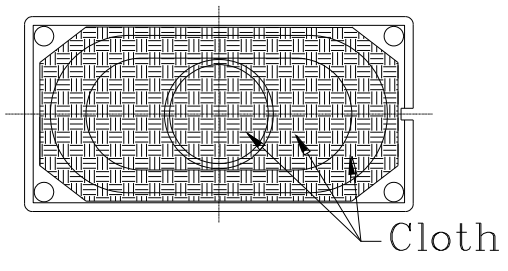


## 1. SPECIFICATION

AK-402008CC-14C

ITEM		SPECIFICATIONS	
01	Type	Dynamic speaker	
02	Dimension	External diameter 40 x 20 mm	
03	Rated Input Power	1.0 W	
04	Max. Input Power	2.0 W for 1 minute	
05	Impedance	$8\Omega \pm 15\%$ at 1 KHz 1V	
06	Resonance Frequency (Fo)	650 Hz $\pm 20\%$ at Fo, 1V	
07	Sensitivity (S.P.L.)	81 dB(0.1W/0.1M) $\pm 3$ dB	at AVE 0.8, 1.0, 1.2, 1.5 KHz.
		90 dB(1.0W/0.1M) $\pm 3$ dB	
08	Frequency Range	Fo – 20 K Hz	
09	Total Harmonics Distortion	Max 10 % at 1 KHz, 1.5V.	

REV NO.	REVISION NOTE	APPROVAL	DATE
---------	---------------	----------	------



WIRE:UL1571 28#

connector: Equivalent to MOLEX 51021-0200

RoHS

TITLE: DYNAMIC SPEAKER		DRAWN: Zack	2014/06/05	SCALE: 2:1	SHEET: 1:1
PART NO. AK-402008CC-14C		DESIGNED: R&D OF AAT	UNITS: mm		
DWG NO. YGDA2040H-8AWC40		CHECKED:	TOLERANCE ± 0.5		
		APPROVAL:	UNLESS OTHERWISE SPECIFIED:		
REV 2		MATERIAL: *****	ONE PLACE DECIMAL ± ***		
			TWO PLACE DECIMAL ± ***		
			THREE PLACE DECIMAL ± ***		



**ADVANCED ACOUSTIC TECHNOLOGY CORPORATION**

AAFC