

1. SPECIFICATION

AK-402008CC-6C7 (RoHS)

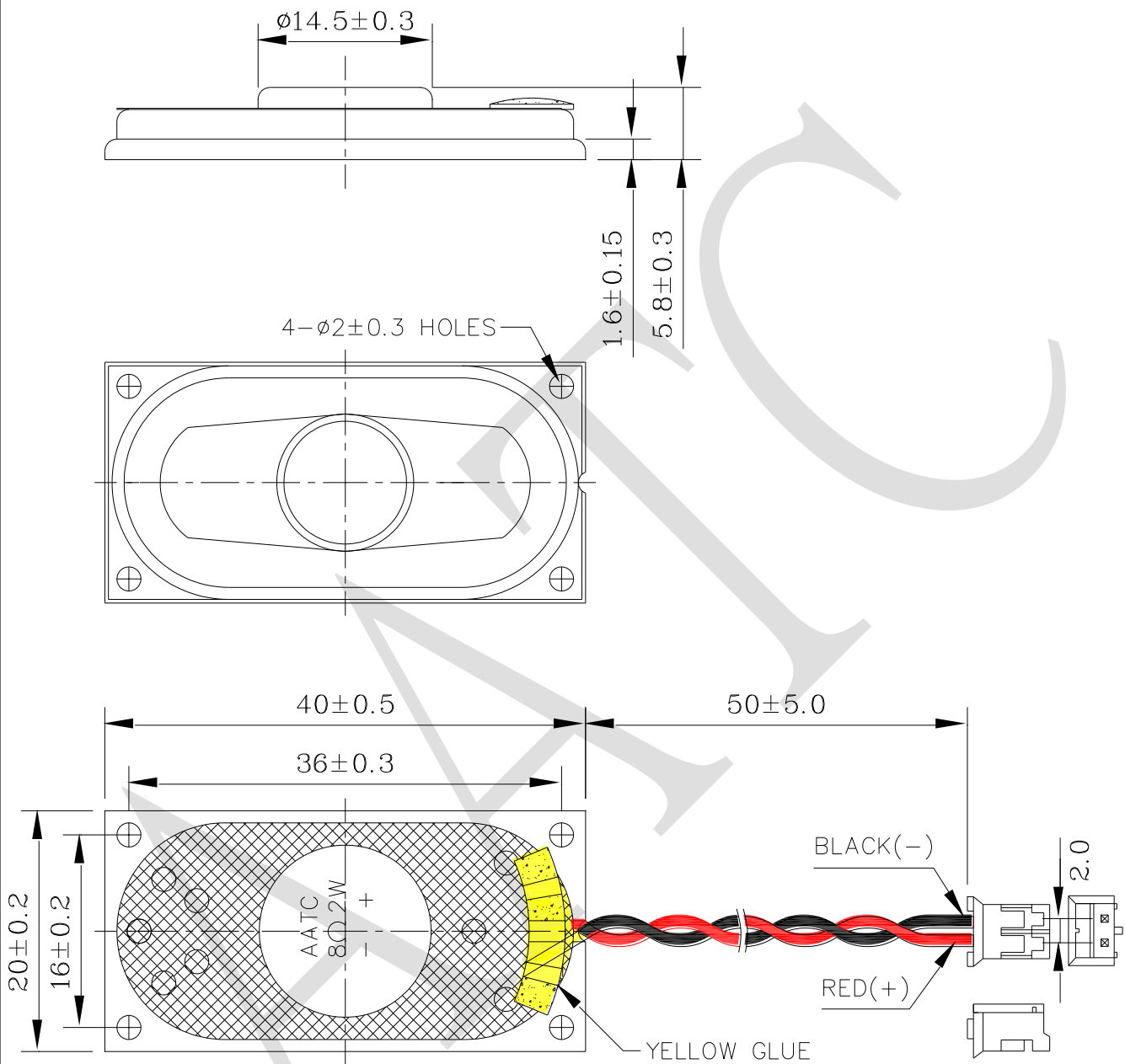
| ITEM | | SPECIFICATIONS | |
|------|----------------------------|--------------------------------|----------------------------|
| 01 | Type | Dynamic speaker | |
| 02 | Dimension | External diameter 40X20mm | |
| 03 | Rated Input Power | 2.0 W | |
| 04 | Max. Input Power | 3.0 W for 1 minute | |
| 05 | Impedance | $8\Omega \pm 15\%$ at 1 KHz 1V | |
| 06 | Resonance Frequency (Fo) | 400 Hz $\pm 20\%$ at Fo, 1V | |
| 07 | Sensitivity (S.P.L.) | 72 dB(1.0W/1.0M) ± 3 dB | at AVE 0.6,0.8,1.0,1.2KHz. |
| | | 95 dB(2.0W/0.1M) ± 3 dB | |
| 08 | Frequency Range | Fo – 2.2 K Hz | |
| 09 | Total Harmonics Distortion | Max 10 % at 1 KHz, 1.5V. | |

REV NO.

REVISION NOTE

APPROVAL

DATE



CASE : Metal.
 WIRE :UL1007 26AWG
 CONNECTOR :JST PHR-2 Equivalent

| | | | | | |
|--------------------------|--|----------------------|------------|-----------------------------|---------------|
| TITLE: DYNAMIC SPEAKER | | DRAWN: Zack | 2011/04/26 | SCALE: 2:1 | SHEET: 1 of 1 |
| PART NO. AK-402008CC-6C7 | | DESIGNED: R&D OF AAT | | UNITS: mm | |
| DWG NO. HS-110426 | | CHECKED: | | TOLERANCE ± 0.5 | |
| REV 1 | | APPROVAL: | | UNLESS OTHERWISE SPECIFIED: | |
| | | MATERIAL: ALLOY | | ONE PLACE DECIMAL ± *** | |
| | | | | TWO PLACE DECIMAL ± *** | |
| | | | | THREE PLACE DECIMAL ± *** | |



苙翔科技股份有限公司
 ADVANCED ACOUSTIC TECHNOLOGY CORPORATION