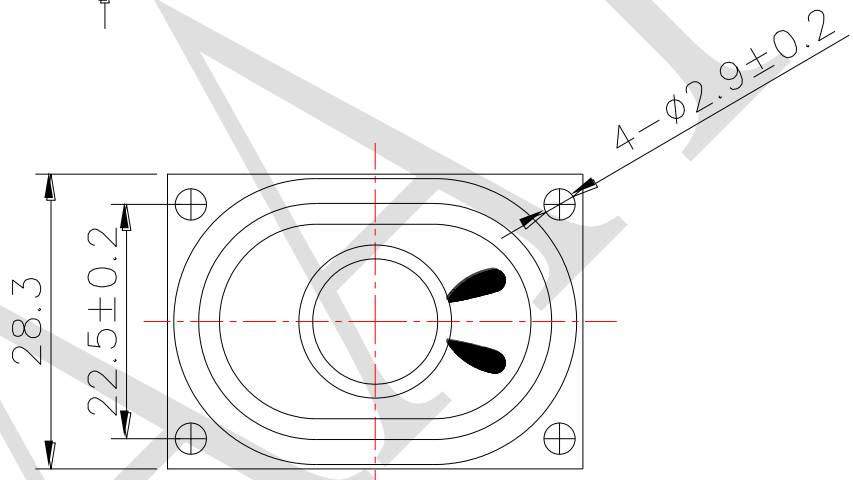
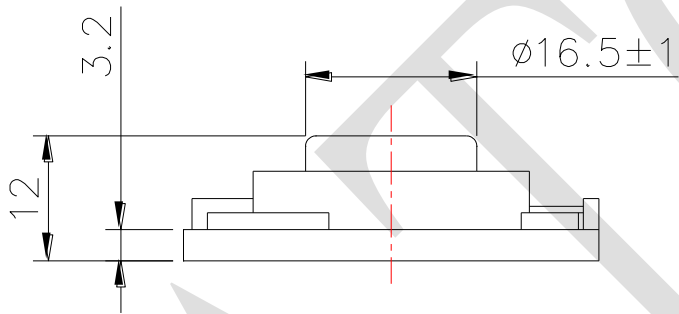
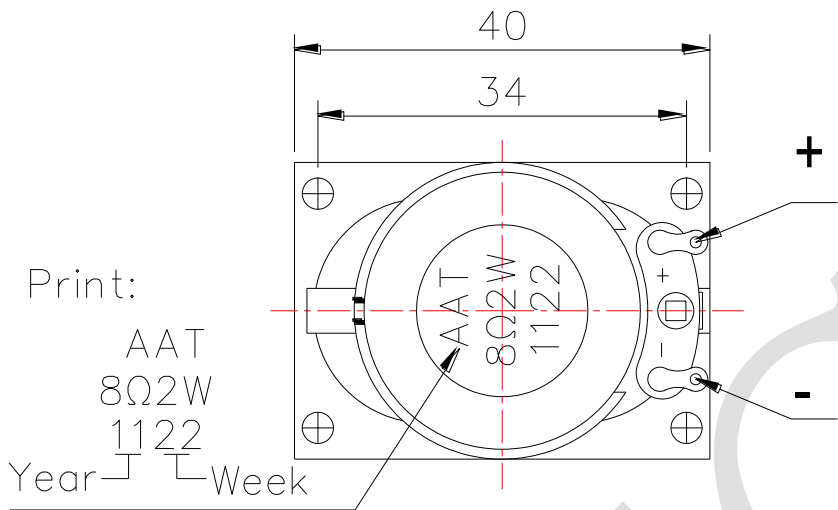


## 1. SPECIFICATION

AK-402808BC-3T-LF (RoHS)

ITEM		SPECIFICATIONS	
01	Type	Dynamic speaker	
02	Dimension	External diameter 40X28 mm	
03	Rated Input Power	2.0 W	
04	Max. Input Power	4.0 W for 1 minute	
05	Impedance	$8\Omega \pm 15\%$ at 1.5KHz 1V	
06	Resonance Frequency (Fo)	530 Hz $\pm$ 20% at Fo, 1V	
07	Sensitivity (S.P.L.)	74 dB(1.0W/1.0M) $\pm$ 3 dB	at AVE 0.8, 1.0, 1.2, 1.5 KHz.
		97 dB(2.0W/0.1M) $\pm$ 3 dB	
08	Frequency Range	Fo – 16.5 K Hz	
09	Total Harmonics Distortion	Max 8 % at 1 KHz, 1.5V.	

REV NO.	REVISION NOTE	APPROVAL	DATE
---------	---------------	----------	------



RoHS

TITLE: <b>DYNAMIC SPEAKER</b>		DRAWN: <b>Zack</b>	2014/09/23	SCALE: 1:1	SHEET: 1 of 1
PART NO. <b>AK-402808BC-3T-LF</b>		DESIGNED: <b>R &amp; D OF AAT</b>	UNITS: <b>mm</b>		
DWG NO. <b>HS-110518</b>		CHECKED:	TOLERANCE $\pm 0.5$		
		APPROVAL:	UNLESS OTHERWISE SPECIFIED: ONE PLACE DECIMAL $\pm$ *** TWO PLACE DECIMAL $\pm$ *** THREE PLACE DECIMAL $\pm$ ***		
REV <b>5</b>		MATERIAL: <b>ABS</b>			



**ADVANCED ACOUSTIC TECHNOLOGY CORPORATION**