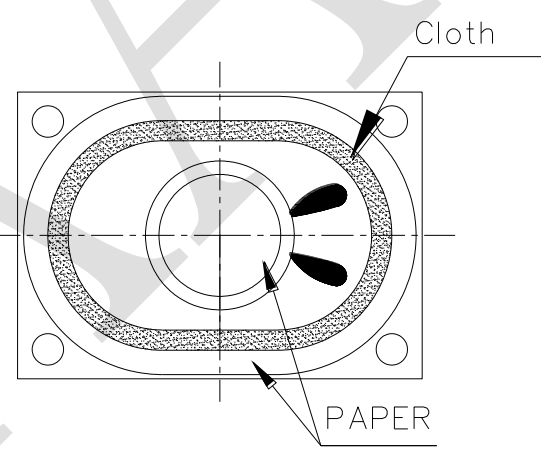
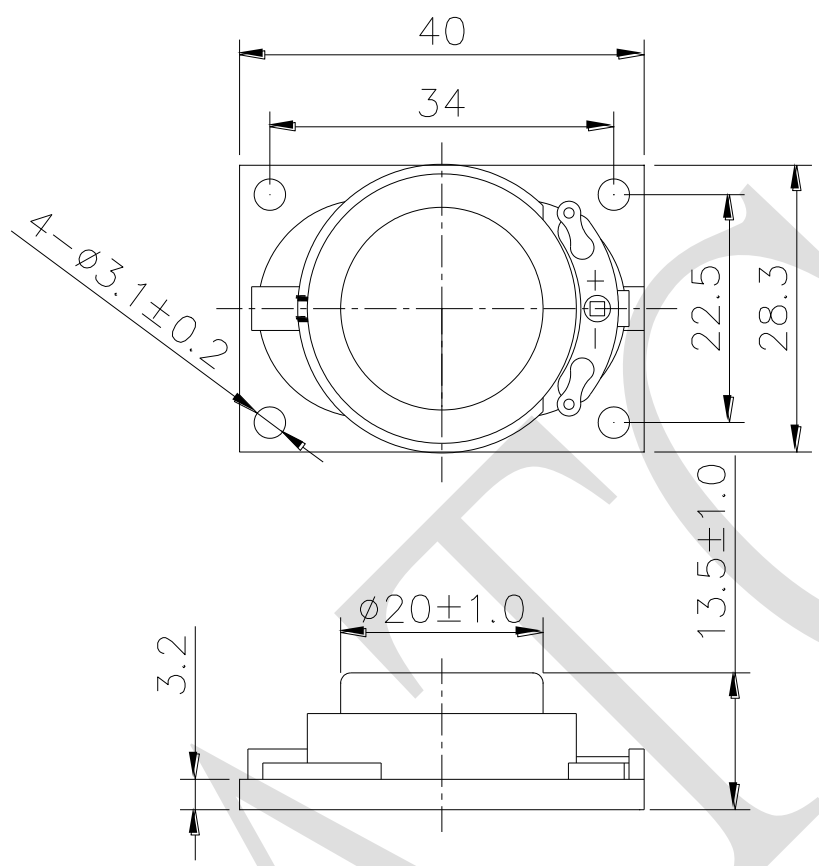


1. SPECIFICATION

AK-402808BC-4-LF

ITEM		SPECIFICATIONS	
01	Type	Dynamic speaker	
02	Dimension	External diameter 40 X 28 mm	
03	Rated Input Power	2.0 W	
04	Max. Input Power	4.0 W for 1 minute	
05	Impedance	$8\Omega \pm 15\%$ at 1.0KHz 1V	
06	Resonance Frequency (Fo)	500 Hz \pm 20% at Fo, 1V	
07	Sensitivity (S.P.L.)	93 dB(1.0W/0.1M) \pm 3 dB	at AVE 0.8, 1.0, 1.2, 1.5 KHz.
		97 dB(2.0W/0.1M) \pm 3 dB	
08	Frequency Range	Fo – 20 K Hz	
09	Total Harmonics Distortion	Max 10 % at 1 KHz, 1.5V.	

REV NO.	REVISION NOTE	APPROVAL	DATE
---------	---------------	----------	------



RoHS

TITLE: DYNAMIC SPEAKER		DRAWN: Zack	2015/03/12	SCALE: 1:1	SHEET: 1 of 1
PART NO. AK-402808BC-4-LF	3	DESIGNED: R & D OF AAT	UNITS: mm		
DWG NO. YGDA3040E-8		CHECKED:	TOLERANCE ± 0.5		
REV		APPROVAL:	UNLESS OTHERWISE SPECIFIED: ONE PLACE DECIMAL ± *** TWO PLACE DECIMAL ± *** THREE PLACE DECIMAL ± ***		
		MATERIAL: ABS+SPCC			



ADVANCED ACOUSTIC TECHNOLOGY CORPORATION