

1. SPECIFICATION

AK-402808BC-4C1

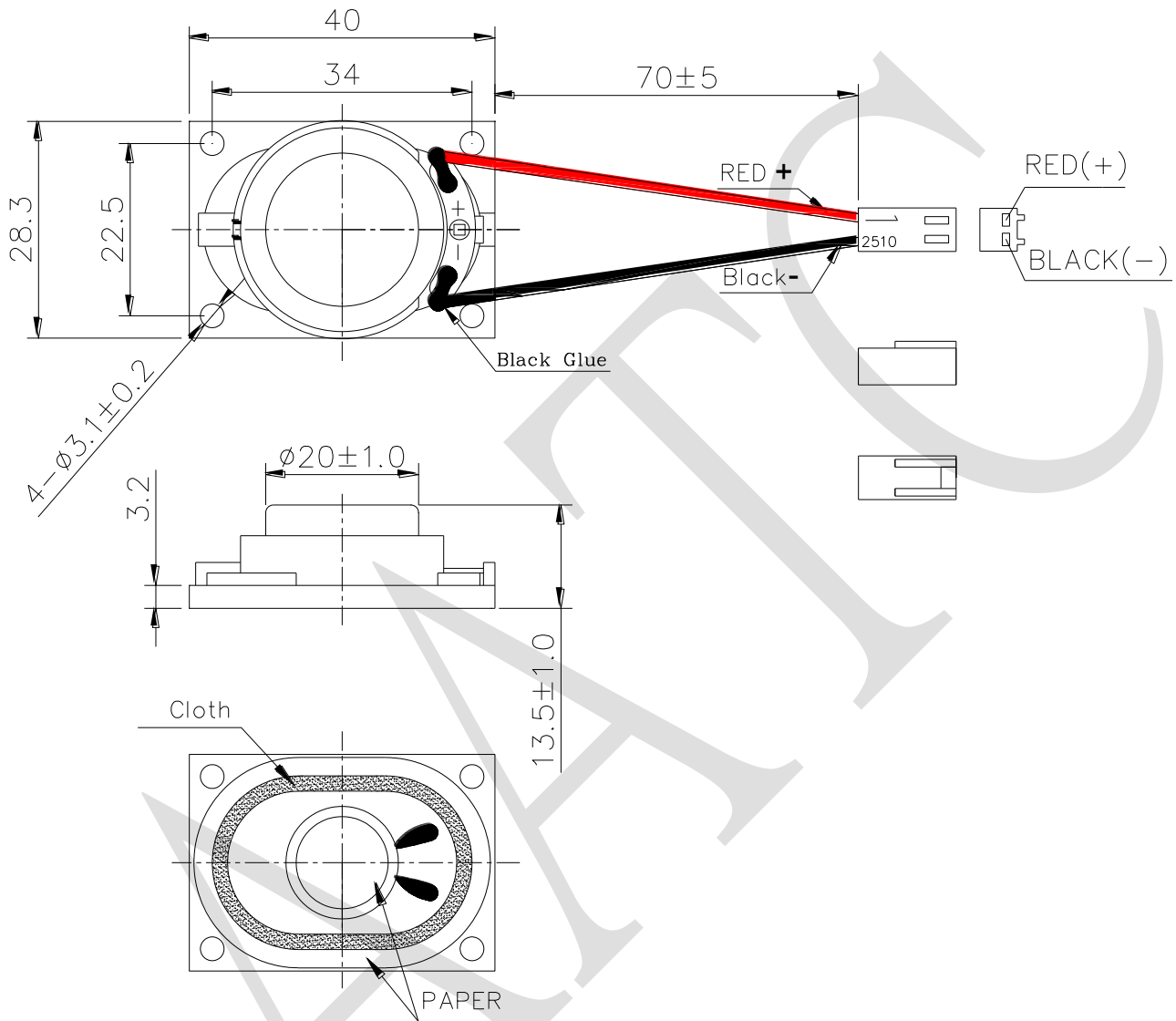
ITEM		SPECIFICATIONS	
01	Type	Dynamic speaker	
02	Dimension	External diameter 40 X 28 mm	
03	Rated Input Power	2.0 W	
04	Max. Input Power	4.0 W for 1 minute	
05	Impedance	$8\Omega \pm 15\%$ at 1.0KHz 1V	
06	Resonance Frequency (Fo)	500 Hz \pm 20% at Fo, 1V	
07	Sensitivity (S.P.L.)	93 dB(1.0W/0.1M) \pm 3 dB	at AVE 0.8, 1.0, 1.2, 1.5 KHz.
		97 dB(2.0W/0.1M) \pm 3 dB	
08	Frequency Range	Fo – 20 K Hz	
09	Total Harmonics Distortion	Max 10 % at 1 KHz, 1.5V.	

REV NO.

REVISION NOTE

APPROVAL

DATE



WIRE : UL 1007 , 28 AWG VW-1.
 TERMINAL: Equivalent to I25004PS-2
 HOUSING : Equivalent to P2-I25004.

RoHS

TITLE: <i>DYNAMIC SPEAKER</i>		DRAWN: Zack	2015/03/10	SCALE: 1:1	SHEET: 1 of 1
PART NO. <i>AK-402808BC-4C1</i>		DESIGNED: R & D OF AAT		UNITS: mm	
DWG NO. <i>YGDA3040E-8AWC70</i>		CHECKED:		TOLERANCE ± 0.5	
		APPROVAL:		UNLESS OTHERWISE SPECIFIED:	
	2	MATERIAL: <i>ABS+SPCC</i>		ONE PLACE DECIMAL ± ***	
	REV			TWO PLACE DECIMAL ± ***	
				THREE PLACE DECIMAL ± ***	



ADVANCED ACOUSTIC TECHNOLOGY CORPORATION