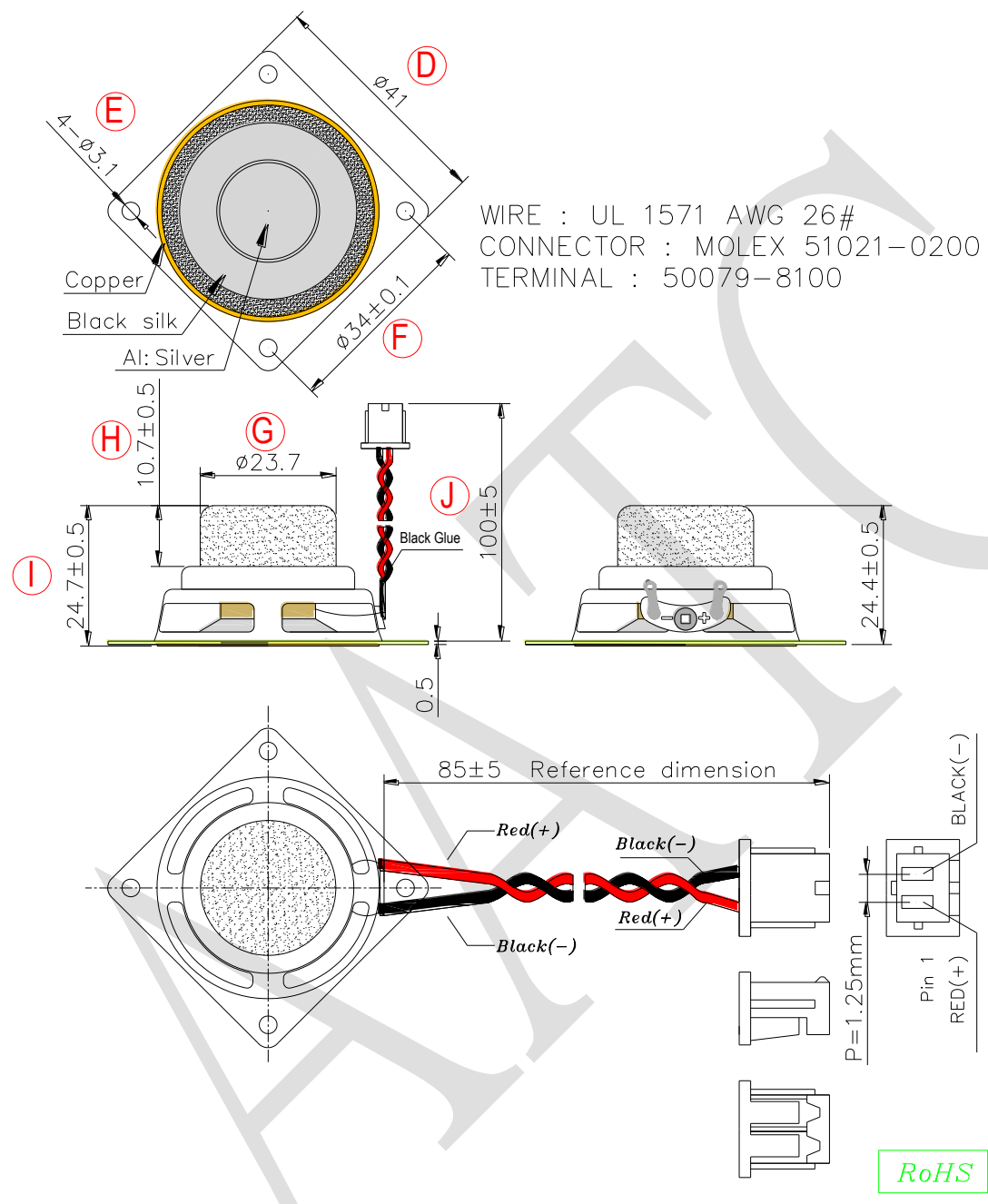


1. SPECIFICATION

AK-414108JF-1C

ITEM		SPECIFICATIONS	
01	Type	Dynamic speaker	
02	Dimensions	41 X 41 mm	
03	Rated Input Power	5.0 W	
04	Max. Input Power	7.0 W for 1 minute	
Ⓐ	Impedance	8Ω ± 15% at 0.8KHz 1V	
Ⓑ	Resonance Frequency (Fo)	260 Hz ± 20% at Fo, 1V	
07	Average Sound Pressure Level	97 dB(1.0W/0.1M) ± 3 dB	FO ~ 8KHz Average Sound Pressure Level
		104 dB(5.0W/0.1M) ± 3 dB	
		Ⓒ 93 dB(5.0W/0.3M) ± 3 dB	
08	Frequency Range	Fo – 3350 Hz , Sound Pressure Level ± 3 dB 3350 – 8K Hz , Sound Pressure Level ± 5 dB	
09	Total Harmonics Distortion	Max 5 % at 1 KHz, 1.5V.	

REV NO.	REVISION NOTE	APPROVAL	DATE
---------	---------------	----------	------



TITLE:	DYNAMIC SPEAKER	DRAWN:	Zack	2019/01/21	SCALE:	1:1	SHEET:	1 of 1
PART NO.	AK-414108JF-1C	DESIGNED:	R & D OF AAT	CHECKED:		UNITS:	mm	
DWG NO.	HS-110302	APPROVAL:		MATERIAL:	SPCC	TOLERANCE	± 0.3	
		REV	2			UNLESS OTHERWISE SPECIFIED:	ONE PLACE DECIMAL ± ***	
							TWO PLACE DECIMAL ± ***	
							THREE PLACE DECIMAL ± ***	



ADVANCED ACOUSTIC TECHNOLOGY CORPORATION