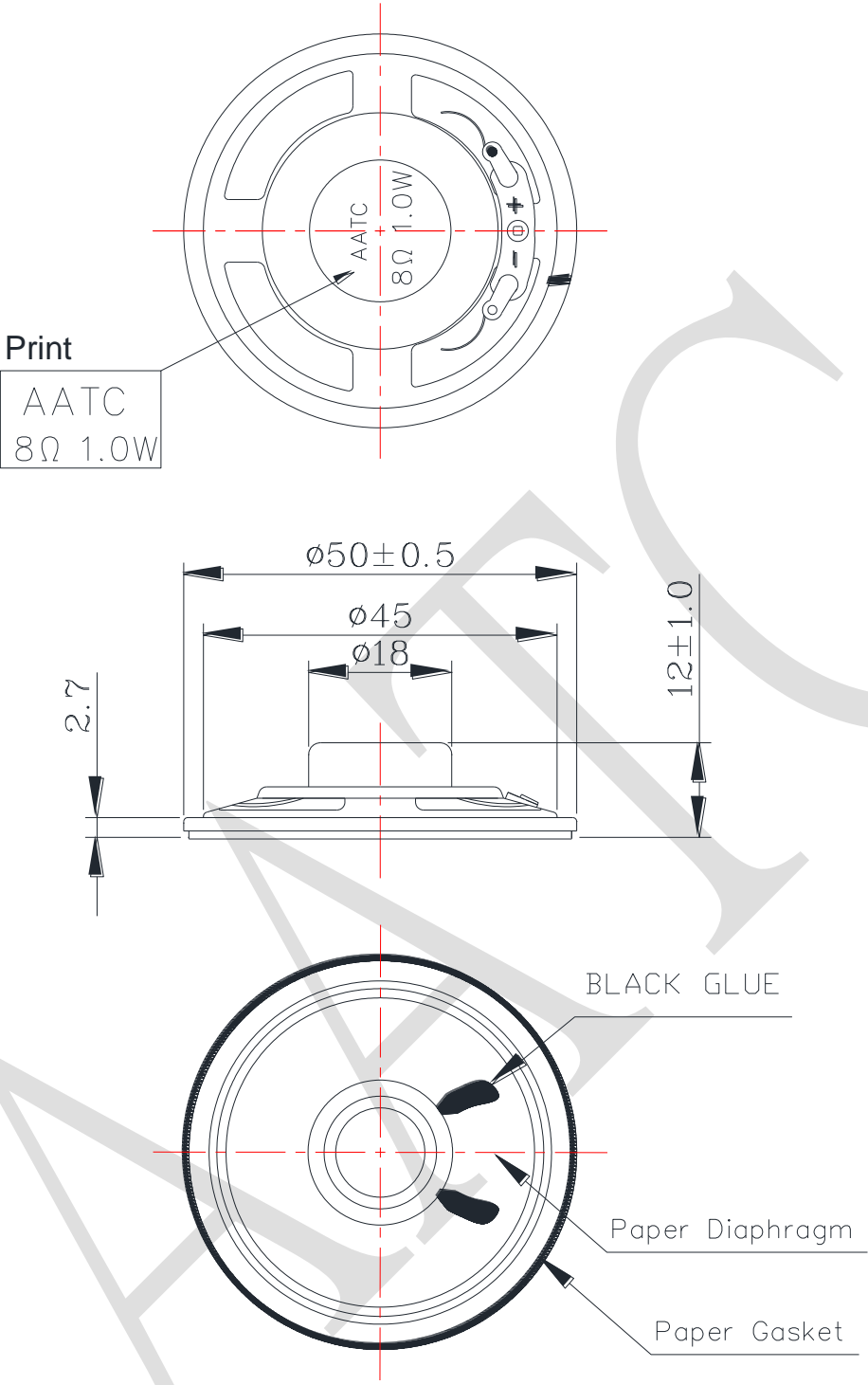


## 1. SPECIFICATION

AK-500810-MP-2

ITEM		SPECIFICATIONS	
01	Type	Dynamic speaker	
02	Dimension	External diameter 50 mm	
03	Rated Input Power	1.0 W	
04	Max. Input Power	2.0 W for 1 minute	
05	Impedance	$8\Omega \pm 15\%$	
06	Resonance Frequency (Fo)	550 Hz $\pm$ 20% at Fo, 1V	
07	Sound pressure level	$100\text{dB}(1.0\text{W}/0.1\text{M}) \pm 3\text{ dB}$	at AVE0.8, 1.0, 1.2, 1.5 KHz.
08	Frequency Range	Fo – 4.5 K Hz	
09	Total Harmonics Distortion	Max 10 % at 1 KHz,0.1W.	

REV NO.	REVISION NOTE	APPROVAL	DATE
---------	---------------	----------	------



RoHS

TITLE: DYNAMIC SPEAKER		DRAWN: Hank	2019/12/27	SCALE: 2:1	SHEET: 1:1
PART NO. AK-500810-MP-2		DESIGNED: R&D OF AAT		UNITS: mm	TOLERANCE ± 0.5
DWG NO. CXS50120-R08W1.0-2B1-N12P1		CHECKED:		UNLESS OTHERWISE SPECIFIED:	
2		APPROVAL:		ONE PLACE DECIMAL ± ***	
REV		MATERIAL: SPCC		TWO PLACE DECIMAL ± ***	
				THREE PLACE DECIMAL ± ***	



**ADVANCED ACOUSTIC TECHNOLOGY CORPORATION**