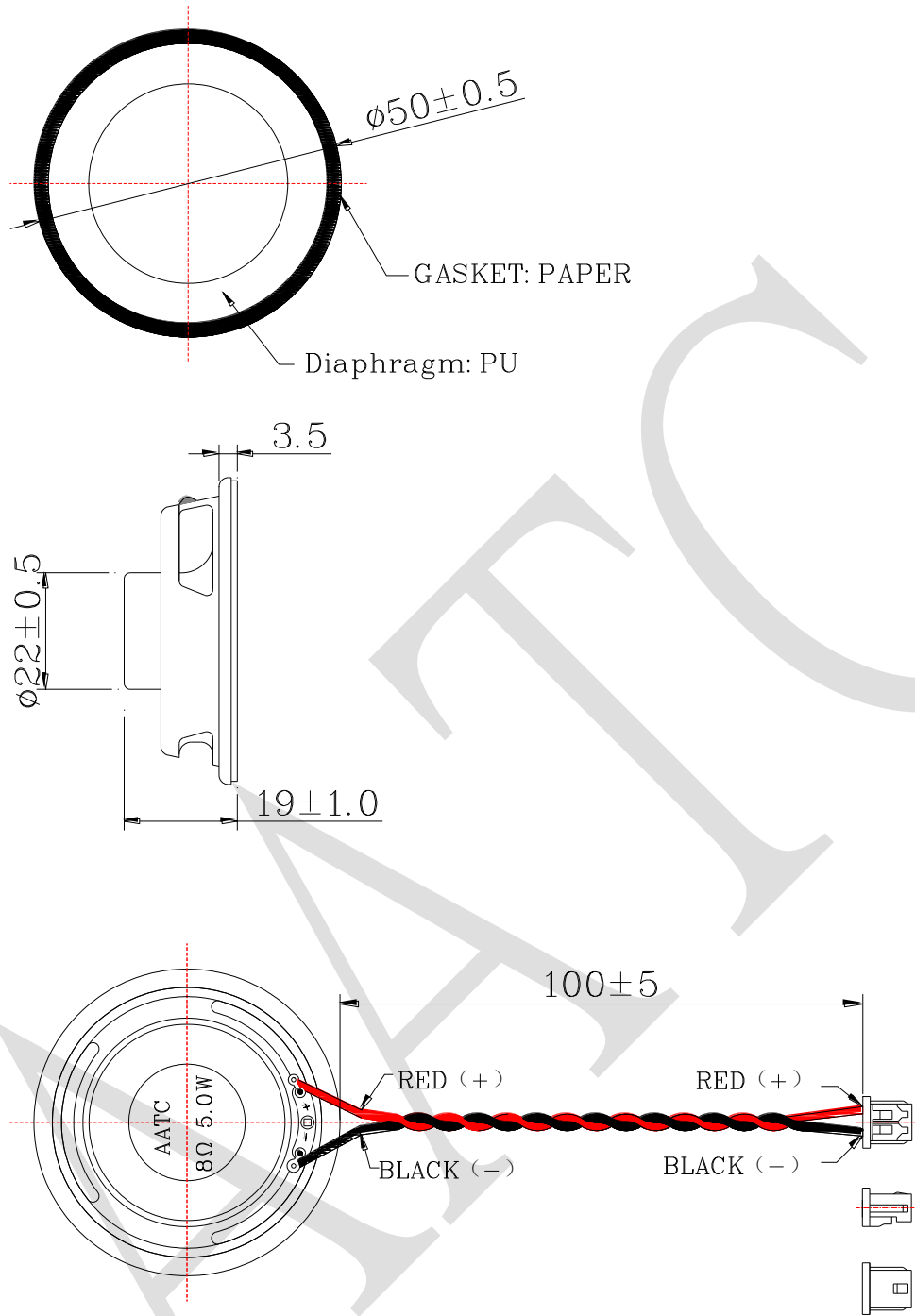


1. SPECIFICATION

AK-500850-MU-1C

ITEM		SPECIFICATIONS	
01	Type	Dynamic speaker	
02	Dimension	External diameter 50 mm	
03	Rated Input Power	5.0W	
04	Max. Input Power	8.0W for 1 minute	
05	Impedance	$8 \pm 15\%$ at 1KHz 1V	
06	Resonance Frequency (Fo)	250 Hz \pm 20% at Fo, 1V	
07	Sound pressure level	97 dB(5.0W/0.1M) \pm 3 dB	at AVE 0.8, 1.0, 1.2, 1.5 KHz.
08	Frequency Range	Fo – 20K Hz	
09	Total Harmonics Distortion	Max 10 % at 1 KHz, 1.0W.	

REV NO.	REVISION NOTE	APPROVAL	DATE
---------	---------------	----------	------



WIRE: UL1571 AWG28#
CONNECTOR: Equivalent to MOLEX 51021-02P

RoHS

TITLE: DYNAMIC SPEAKER		DRAWN: MOOSE	2018-01-08	SCALE: 2:1	SHEET: 1:1
PART NO. AK-500850-MU-1C		DESIGNED: R&D OF AAT	UNITS: mm		
DWC NO. CXS50190LP100-R08W5.0-N12PU-F		CHECKED:	TOLERANCE ± 0.5		
		APPROVAL:	UNLESS OTHERWISE SPECIFIED: ONE PLACE DECIMAL \pm *** TWO PLACE DECIMAL \pm *** THREE PLACE DECIMAL \pm ***		
REV		MATERIAL: SPCC			



ADVANCED ACOUSTIC TECHNOLOGY CORPORATION