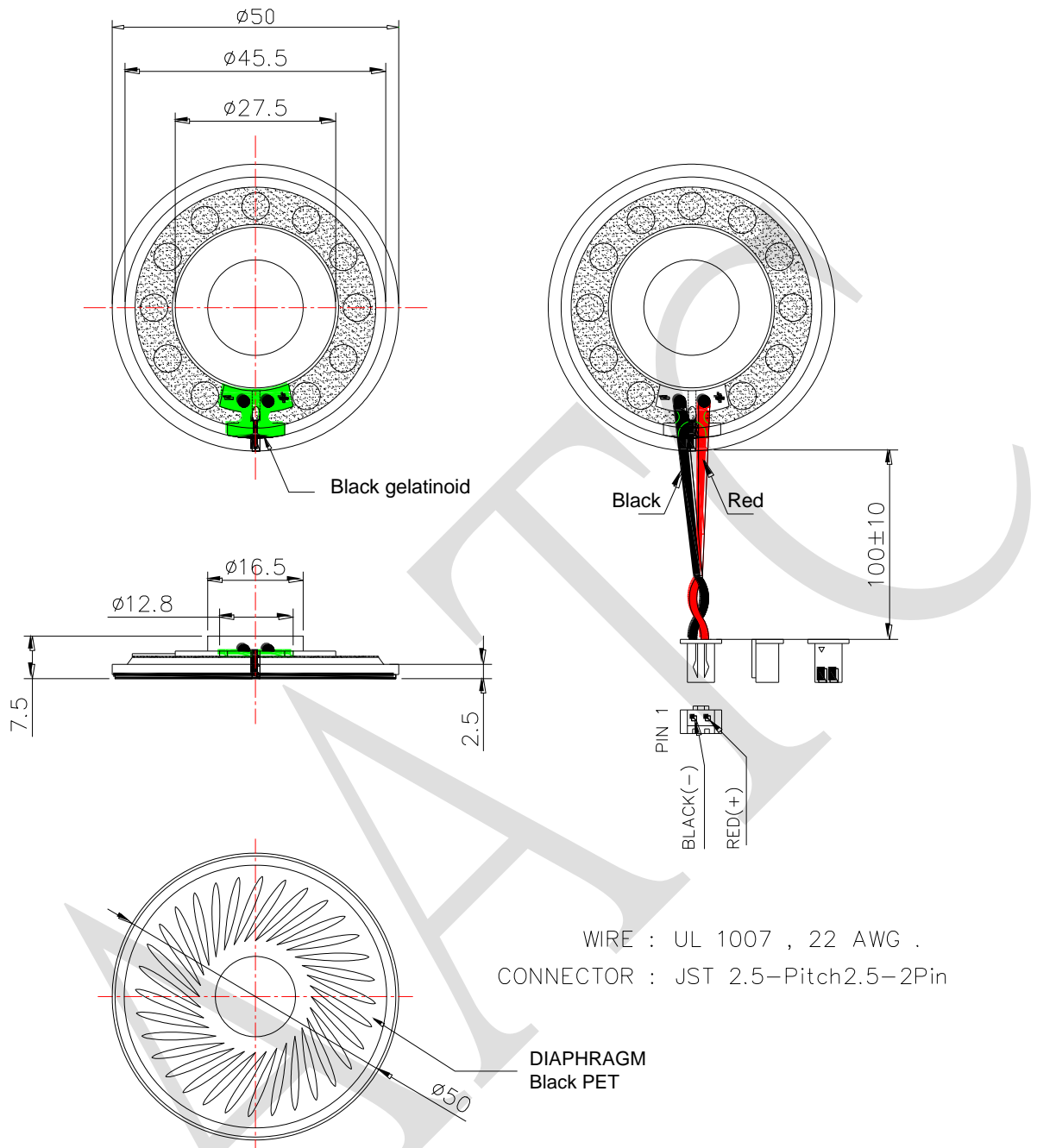


# 1. SPECIFICATION

AK-5008BA-5C

ITEM		SPECIFICATIONS	
01	Type	Dynamic speaker	
02	Dimension	External diameter 50 mm	
03	Rated Input Power	1.0 W	
04	Max. Input Power	2.0 W for 1 minute	
05	Impedance	$8\Omega \pm 15\%$ at 2 KHz 1V	
06	Resonance Frequency (Fo)	500 Hz $\pm 20\%$ at Fo, 1V	
07	Sound pressure level	83 dB(1.0W/1.0M) $\pm 3$ dB	at AVE 0.8, 1.0, 1.2, 2.0 KHz.
		98 dB(1.0W/0.1M) $\pm 3$ dB	
08	Frequency Range	Fo – 20 K Hz	
09	Total Harmonics Distortion	Max 10 % at 1 KHz, 1.5V.	

REV NO.	REVISION NOTE	APPROVAL	DATE
---------	---------------	----------	------



RoHS

TITLE: DYNAMIC SPEAKER		DRAWN: Zack	2013/10/11	SCALE: 2:1	SHEET: 1:1
PART NO. AK-5008BA-5C	2	DESIGNED: R&D OF AAT	UNITS: mm		
DWG NO. UGS5008-03WC100		CHECKED:	TOLERANCE $\pm 0.5$		
	REV	APPROVAL:	UNLESS OTHERWISE SPECIFIED:		
		MATERIAL: *****	ONE PLACE DECIMAL $\pm$ ***		
			TWO PLACE DECIMAL $\pm$ ***		
			THREE PLACE DECIMAL $\pm$ ***		



**ADVANCED ACOUSTIC TECHNOLOGY CORPORATION**