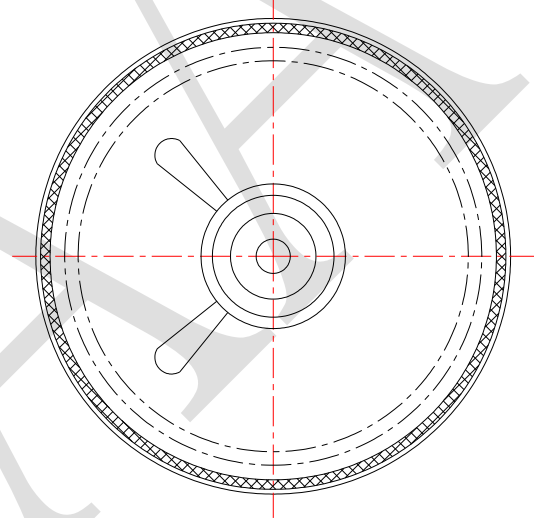
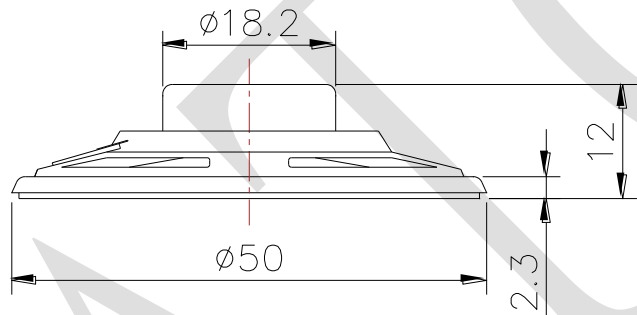
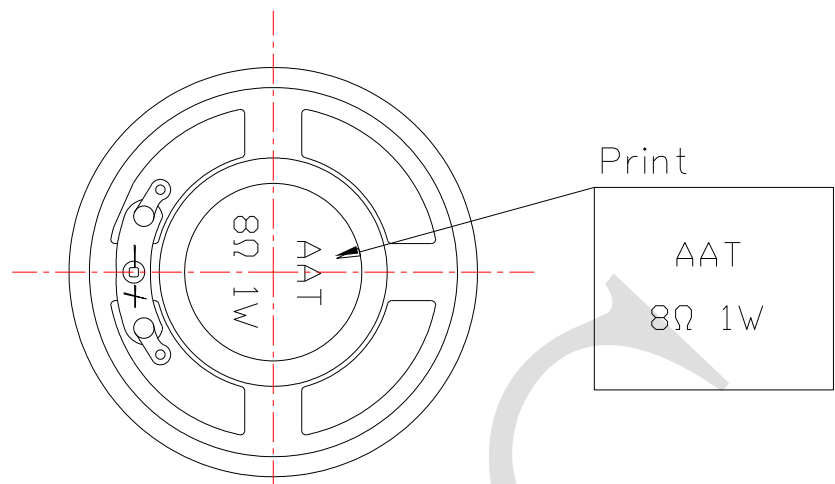


1. SPECIFICATION

AK-5008BC-14-LF

ITEM		SPECIFICATIONS	
01	Type	Dynamic speaker	
02	Dimension	External diameter 50 mm	
03	Rated Input Power	1.0 W	
04	Max. Input Power	1.3 W for 1 minute	
05	Impedance	$8\Omega \pm 15\%$ at 2 KHz 1V	
06	Resonance Frequency (Fo)	500 Hz $\pm 20\%$ at Fo, 1V	
07	Sound pressure level	84 dB(1.0W/1.0M) ± 3 dB	at AVE 0.8, 1.0, 1.2, 1.6 KHz.
		102 dB(1.0W/0.1M) ± 3 dB	
08	Frequency Range	Fo – 5 K Hz	
09	Total Harmonics Distortion	Max 10 % at 1 KHz, 1.5V.	

REV NO.	REVISION NOTE	APPROVAL	DATE
---------	---------------	----------	------



RoHS

TITLE: DYNAMIC SPEAKER		DRAWN: Zack	2015/07/30	SCALE: 2:1	SHEET: 1:1
PART NO. AK-5008BC-14-LF		DESIGNED: R&D OF AAT	UNITS: mm		
DWG NO. DTS-1256		CHECKED:	TOLERANCE ± 0.5		
		APPROVAL:	UNLESS OTHERWISE SPECIFIED:		
REV 3		MATERIAL: SPCC	ONE PLACE DECIMAL \pm ***		
			TWO PLACE DECIMAL \pm ***		
			THREE PLACE DECIMAL \pm ***		



ADVANCED ACOUSTIC TECHNOLOGY CORPORATION