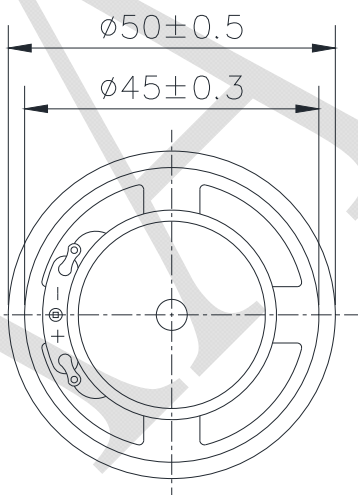
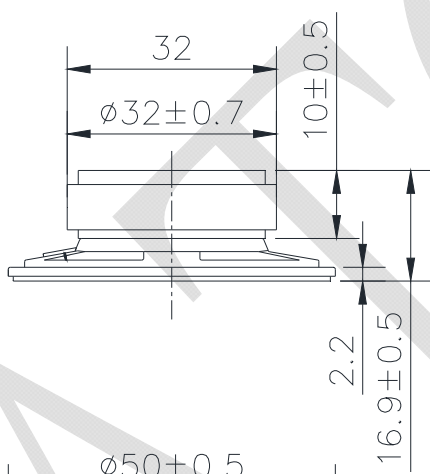
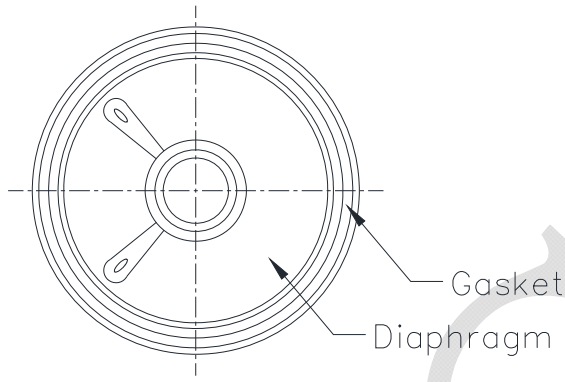


1. SPECIFICATION

AK-5008KC-4

ITEM		SPECIFICATIONS	
01	Type	Dynamic speaker	
02	Dimension	External diameter 50 mm	
03	Rated Input Power	0.25 W	
04	Max. Input Power	5.0 W for 1 minute	
05	Impedance	$8\Omega \pm 15\%$ at 1 KHz 1V	
06	Resonance Frequency (Fo)	450 Hz \pm 20% at Fo, 1V	
07	Sound pressure level	96 dB(0.25W/0.1M) \pm 3 dB	at AVG 0.8, 1.0, 1.2, 1.5 KHz.
08	Frequency Range	Fo – 4.5 K Hz	
09	Total Harmonics Distortion	Max 10 % at 1 KHz, 0.25 W.	
10	Magnet	Rare earth permanent (Ferrite)	
11	Weight	50 g \pm 5 g	
12	Appearance	Should not exist any obstacle to be harmful to normal operation; damages, cracks, rusts and distortions, etc.	
13	Operation Test	Must be normal at program source 0.25 W	
14	Buzz, Rattle, etc.	Should not be audible at 1.41 V sine wave between Fo to 2KHz	
15	Polarity	When positive voltage is applied to the terminal marked (+), diaphragm should move to the front.	
16	Terminal Strength	Capable of withstand 1kg load for 15 seconds without resulting in any damage or rejection.	
17	Temperature	Operating temperature: -20°C to +60°C Storage temperature: -30°C to +70°C	

REV NO.	REVISION NOTE	APPROVAL	DATE
---------	---------------	----------	------



RoHS

TITLE: DYNAMIC SPEAKER		DRAWN: Zack	2021/01/13	SCALE: 2:1	SHEET: 1:1
PART NO. AK-5008KC-4	2	DESIGNED: R&D OF AAT	UNITS: mm		
DWG NO. YGD50C-8		CHECKED:	TOLERANCE ± 0.5		
REV		APPROVAL:	FIRST ANGLE PROJECTION		
		MATERIAL: SPCC			



ADVANCED ACOUSTIC TECHNOLOGY CORPORATION