

## 1. SPECIFICATION

AK-5050025-PM-1W

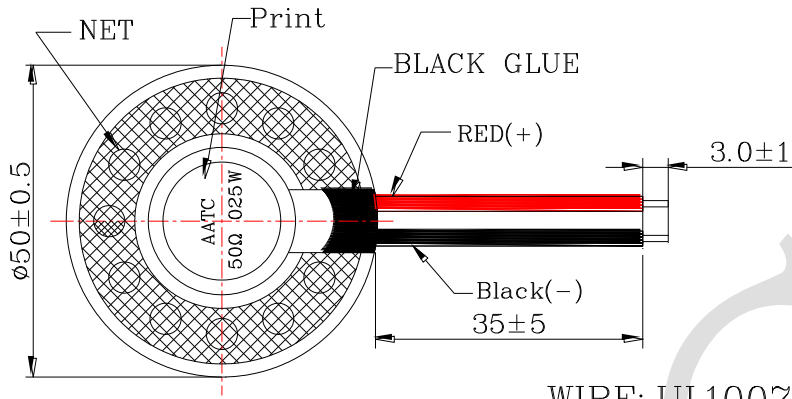
ITEM		SPECIFICATIONS	
01	Type	Dynamic speaker	
02	Dimension	External diameter 50 mm	
03	Rated Input Power	0.25W	
04	Max. Input Power	0.5W for 1 minute	
05	Impedance	$50\Omega \pm 15\%$ at 1KHz	
06	Resonance Frequency (Fo)	400Hz $\pm$ 20% at Fo, 1V	
07	Sound pressure level	97 dB(0.25W/0.1M) $\pm$ 3 dB	at AVE 0.5, 0.8, 1.0, 12 KHz.
08	Frequency Range	Fo – 3.5 K Hz	
09	Total Harmonics Distortion	Max 10 % at 1 KHz, 0.1W.	

REV NO.

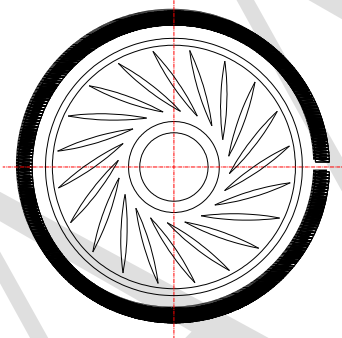
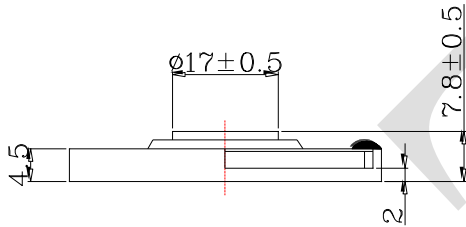
REVISION NOTE

APPROVAL

DATE



WIRE: UL1007, AWG22#



RoHS

TITLE: DYNAMIC SPEAKER		DRAWN: Moose	2017-08-28	SCALE: 2:1	SHEET: 1:1
PART NO. AK-5050025-PM-1W		DESIGNED: R&D OF AAT	UNITS: mm		
DWG NO. CXS50078L35-R50W0.25-G		CHECKED:	TOLERANCE ± 0.5		
		APPROVAL:	UNLESS OTHERWISE SPECIFIED: ONE PLACE DECIMAL ± *** TWO PLACE DECIMAL ± *** THREE PLACE DECIMAL ± ***		
REV 1		MATERIAL: ABS			



ADVANCED ACOUSTIC TECHNOLOGY CORPORATION