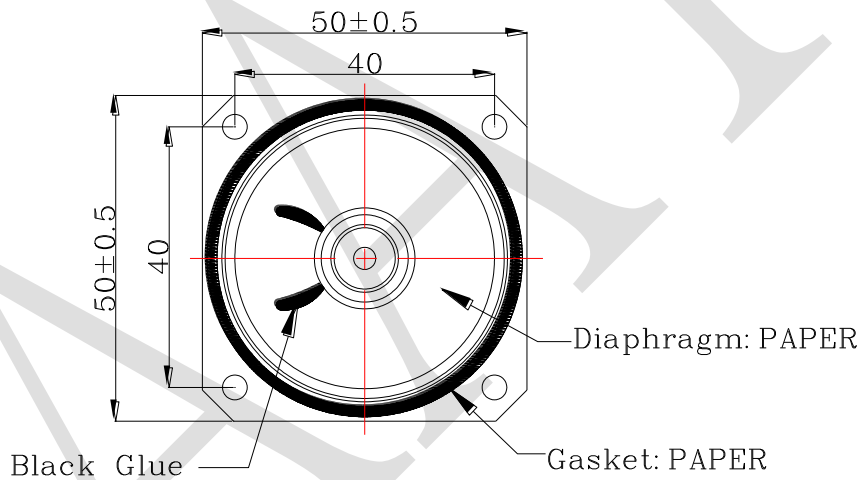
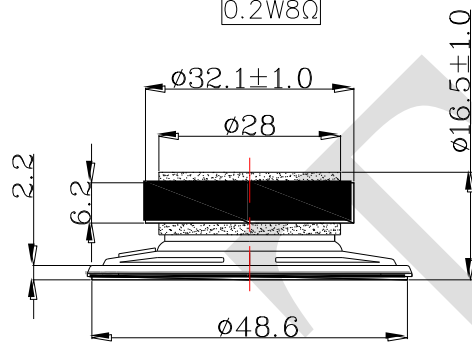
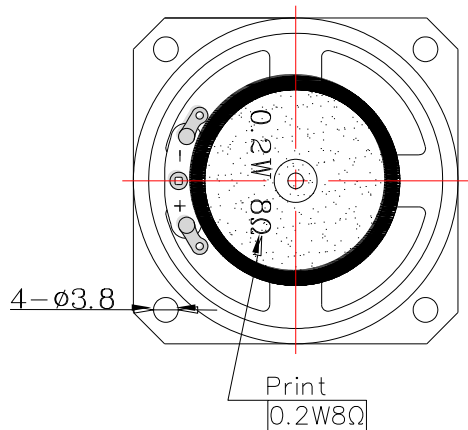


1. SPECIFICATION

AK-505008YC-1

ITEM		SPECIFICATIONS	
01	Type	Dynamic speaker	
02	Dimension	External diameter 50 mm	
03	Rated Input Power	0.2 W	
04	Max. Input Power	1.0 W for 1 minute	
05	Impedance	$8\Omega \pm 15\%$ at 1.0KHz 1V	
06	Resonance Frequency (Fo)	550 Hz \pm 20% at Fo, 1V	
07	Sound pressure level	94 dB(0.2W/0.1M) \pm 3 dB	at AVE 0.6, 0.8, 1.0, 1.2 KHz.
08	Frequency Range	Fo – 4.5 K Hz	
09	Total Harmonics Distortion	Max 10 % at 1 KHz	

REV NO.	REVISION NOTE	APPROVAL	DATE
---------	---------------	----------	------



RoHS

TITLE: DYNAMIC SPEAKER		DRAWN: Moose	2017-03-07	SCALE: 2:1	SHEET: 1:1
PART NO. AK-505008YC-1		DESIGNED: R&D OF AAT	UNITS: mm		
DWC NO. CXS5050165-R08W0.2-F32P-G		CHECKED:	TOLERANCE \pm 0.5		
		APPROVAL:	UNLESS OTHERWISE SPECIFIED: ONE PLACE DECIMAL \pm *** TWO PLACE DECIMAL \pm *** THREE PLACE DECIMAL \pm ***		
REV 1		MATERIAL: Metal			



ADVANCED ACOUSTIC TECHNOLOGY CORPORATION