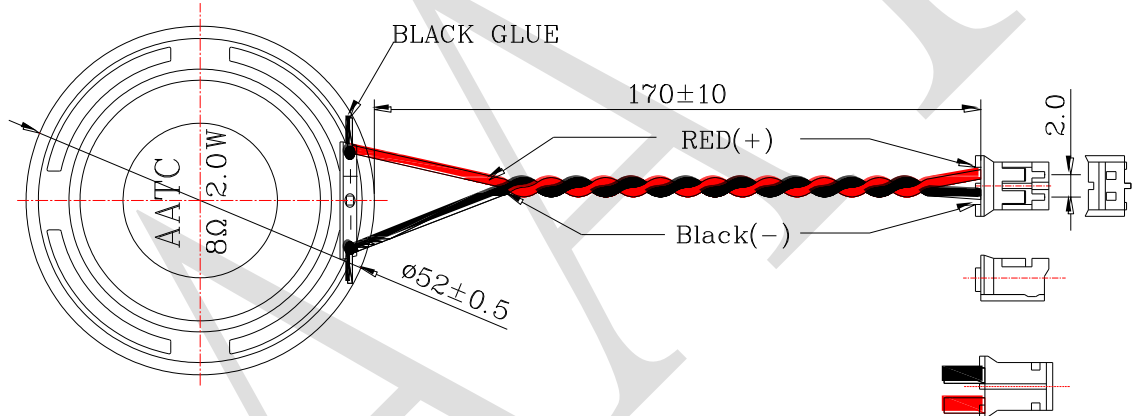
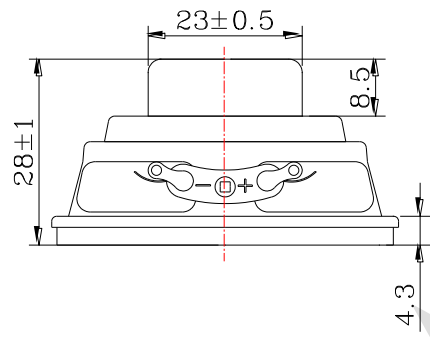
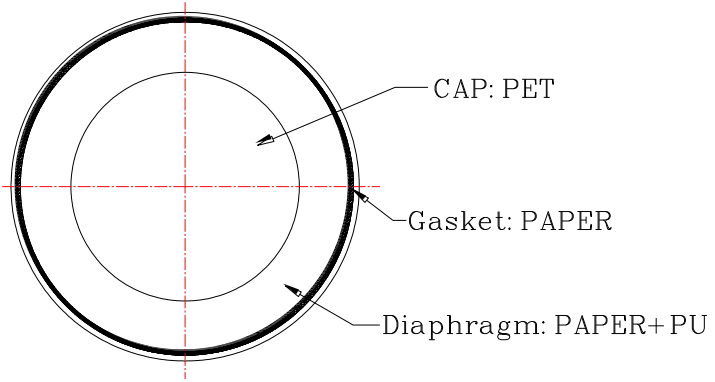


1. SPECIFICATION

AK-520820-MPU-2C

ITEM		SPECIFICATIONS	
01	Type	Dynamic speaker	
02	Dimension	External diameter 52 mm	
03	Rated Input Power	2.0 W	
04	Max. Input Power	3.0W for 1 minute	
05	Impedance	$8\Omega \pm 15\%$	
06	Resonance Frequency (Fo)	150 Hz \pm 20% at Fo, 1V	
07	Sound pressure level	100dB(2.0W/0.1M) \pm 3 dB	at AVE0.3, 0.4, 0.5, 0.8 KHz.
08	Frequency Range	Fo -20 K Hz	
09	Total Harmonics Distortion	Max 5% at 1 KHz, 1.0W.	

REV NO.	REVISION NOTE	APPROVAL	DATE
---------	---------------	----------	------



Wire: UL1007.AWG22#
 Connector: Equivalent to JST PHR-2P

RoHS

TITLE: DYNAMIC SPEAKER		DRAWN: Moose	2018-05-24	SCALE: 2:1	SHEET: 1:1
PART NO. AK-520820-MPU-2C		DESIGNED: R&D OF AAT	UNITS: mm		
DWC NO. CXS52280LP150-R08W2.0-N15.5U-G		CHECKED:	TOLERANCE ± 0.5		
		APPROVAL:	UNLESS OTHERWISE SPECIFIED:		
REV		MATERIAL: SPCC	ONE PLACE DECIMAL ± ***		
			TWO PLACE DECIMAL ± ***		
			THREE PLACE DECIMAL ± ***		



ADVANCED ACOUSTIC TECHNOLOGY CORPORATION