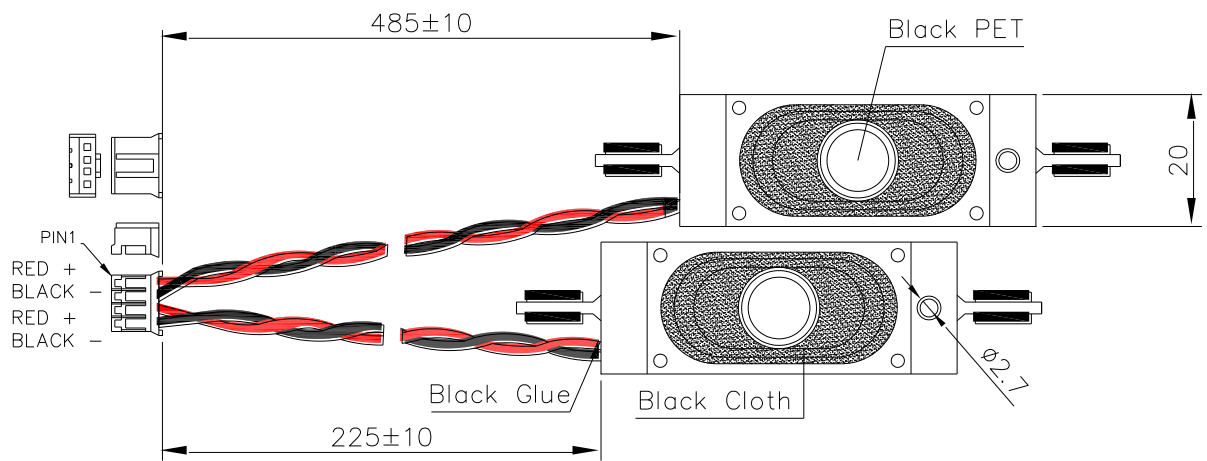
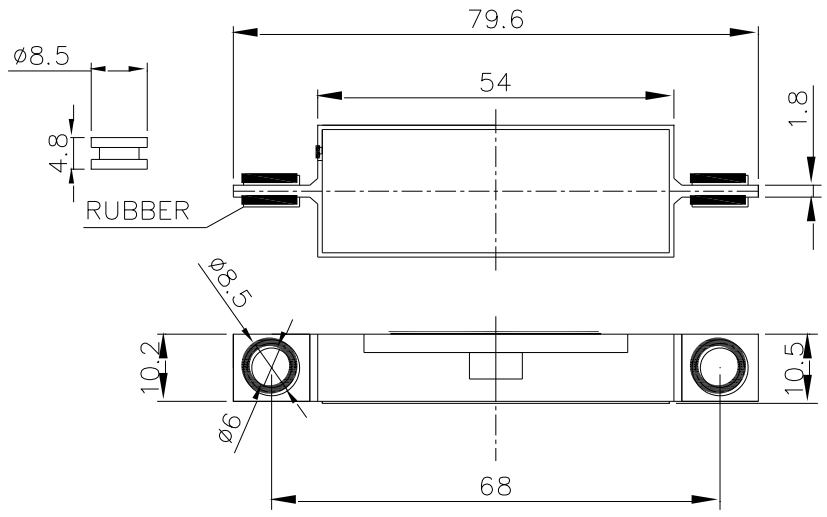


# 1. SPECIFICATION

AK-542008CC-1C4 (RoHS)

| ITEM |                            | SPECIFICATIONS                    |                                |
|------|----------------------------|-----------------------------------|--------------------------------|
| 01   | Type                       | Dynamic Speaker + Sound Box       |                                |
| 02   | Dimension                  | External diameter 54 x 20 x 10 mm |                                |
| 03   | Rated Input Power          | 1.0 W                             |                                |
| 04   | Max. Input Power           | 2.0 W for 1 minute.               |                                |
| 05   | Impedance                  | 8 ohm $\pm$ 15% at 2.0 KHz        |                                |
| 06   | Resonance Frequency (Fo)   | 900 Hz $\pm$ 20% at Fo, 1V        |                                |
| 07   | Sensitivity (S.P.L.)       | 84 dB(0.1W/1.0M) $\pm$ 3 dB       | at AVE 1.0K,1.5K,2.0K,2.5 KHz. |
|      |                            | 93 dB(1.0W/0.1M) $\pm$ 3 dB       |                                |
| 08   | Frequency Range            | Fo – 20K Hz                       |                                |
| 09   | Total Harmonics Distortion | Max 10 % at 1 KHz,1.0V.           |                                |

|         |               |          |      |
|---------|---------------|----------|------|
| REV NO. | REVISION NOTE | APPROVAL | DATE |
|---------|---------------|----------|------|



WIRE : UL 1007 , 26 AWG .

CONNECTOR : JST-PHR-4 Equivalent .

RoHS

|                                    |  |                        |                             |            |              |
|------------------------------------|--|------------------------|-----------------------------|------------|--------------|
| TITLE: DYNAMIC SPEAKER + SOUND BOX |  | DRAWN: <b>Zack</b>     | 2011/01/03                  | SCALE: 1:1 | SHEET: 1 : 1 |
| PART NO. AK-542008CC-1C4           |  | DESIGNED: R & D OF AAT | UNITS: mm                   |            |              |
| DWG NO. HS-110103                  |  | CHECKED:               | TOLERANCE ± 0.5             |            |              |
| REV                                |  | APPROVAL:              | UNLESS OTHERWISE SPECIFIED: |            |              |
|                                    |  | MATERIAL: ABS          | ONE PLACE DECIMAL ± ***     |            |              |
|                                    |  |                        | TWO PLACE DECIMAL ± ***     |            |              |
|                                    |  |                        | THREE PLACE DECIMAL ± ***   |            |              |



**苙翔科技股份有限公司**  
**ADVANCED ACOUSTIC TECHNOLOGY CORPORATION**