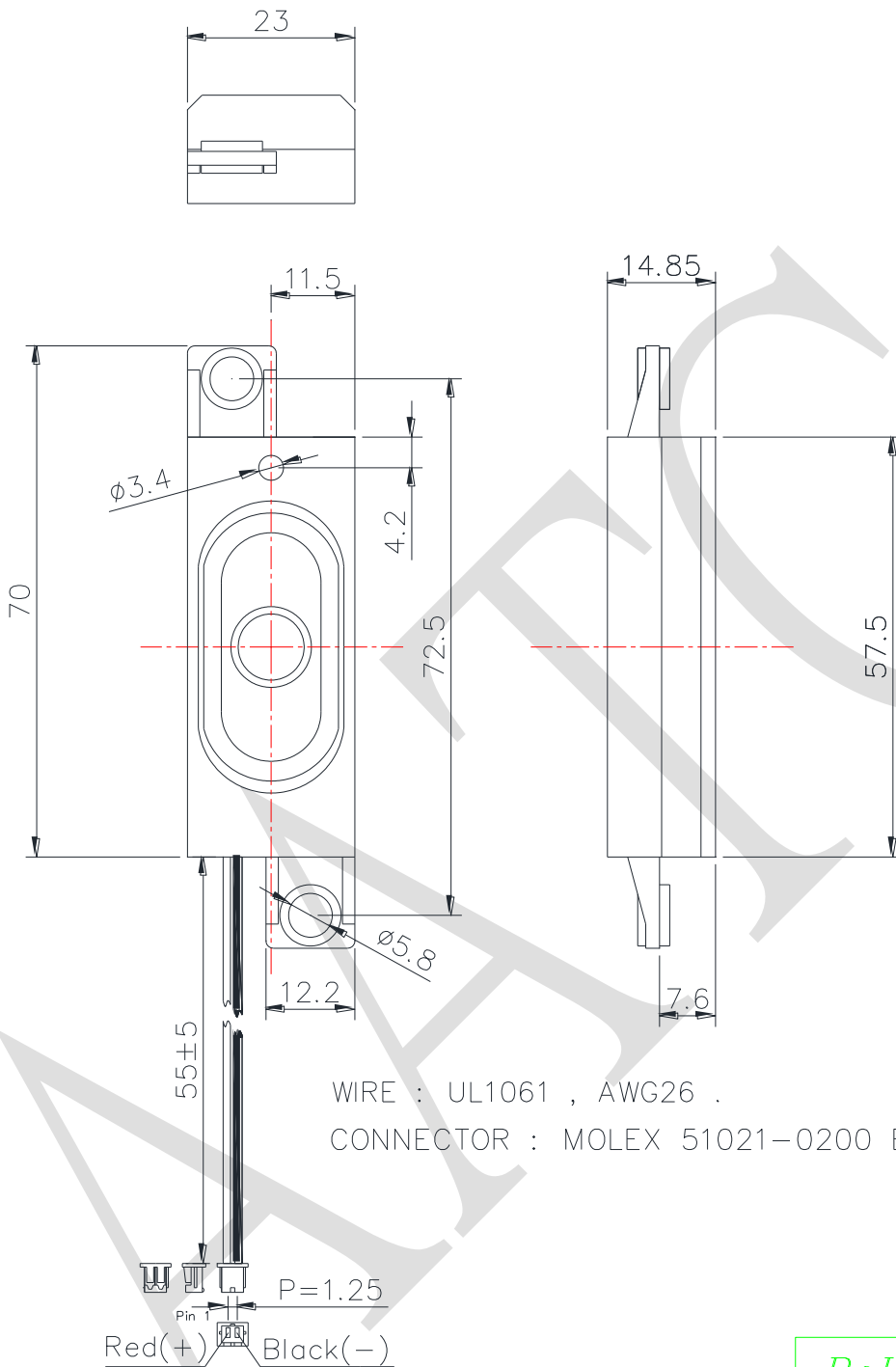


## 1. SPECIFICATION

AK-582308CC-1C

| ITEM |                            | SPECIFICATIONS                       |                                |
|------|----------------------------|--------------------------------------|--------------------------------|
| 01   | Type                       | Dynamic Speaker                      |                                |
| 02   | Dimension                  | External diameter 58 x 23 x 14.85 mm |                                |
| 03   | Rated Input Power          | 1.0 W                                |                                |
| 04   | Max. Input Power           | 2.0 W for 1 minute.                  |                                |
| 05   | Impedance                  | $8\Omega \pm 15\%$ at 2 KHz 1V       |                                |
| 06   | Resonance Frequency (Fo)   | 800 Hz $\pm 20\%$ at Fo, 1V          |                                |
| 07   | Sound pressure level       | 74 dB(1.0W/1.0M) $\pm 3$ dB          | at AVE 0.8, 1.0, 1.2, 1.5 KHz. |
|      |                            | 93 dB(1.0W/0.1M) $\pm 3$ dB          |                                |
| 08   | Frequency Range            | Fo – 20 K Hz                         |                                |
| 09   | Total Harmonics Distortion | Max 10 % at 1 KHz, 1.5V.             |                                |

| REV NO. | REVISION NOTE | APPROVAL | DATE |
|---------|---------------|----------|------|
|---------|---------------|----------|------|



WIRE : UL1061 , AWG26 .  
CONNECTOR : MOLEX 51021-0200 Equivalent .

RoHS

|                                    |          |                        |  |            |              |
|------------------------------------|----------|------------------------|--|------------|--------------|
| TITLE: DYNAMIC SPEAKER + SOUND BOX |          | DRAWN: Hank            | 2020/03/24   | SCALE: 1:1 | SHEET: 1 : 1 |
| PART NO. AK-582308CC-1C            | 3<br>REV | DESIGNED: R & D OF AAT | UNITS: mm  |            |              |
| DWG NO. DTS-1376                   |          | CHECKED:               | TOLERANCE $\pm 0.5$  |            |              |
|                                    |          | APPROVAL:              | UNLESS OTHERWISE SPECIFIED:<br>ONE PLACE DECIMAL $\pm$ ***<br>TWO PLACE DECIMAL $\pm$ ***<br>THREE PLACE DECIMAL $\pm$ *** |            |              |
|                                    |          | MATERIAL: ABS          |  |            |              |



ADVANCED ACOUSTIC TECHNOLOGY CORPORATION