

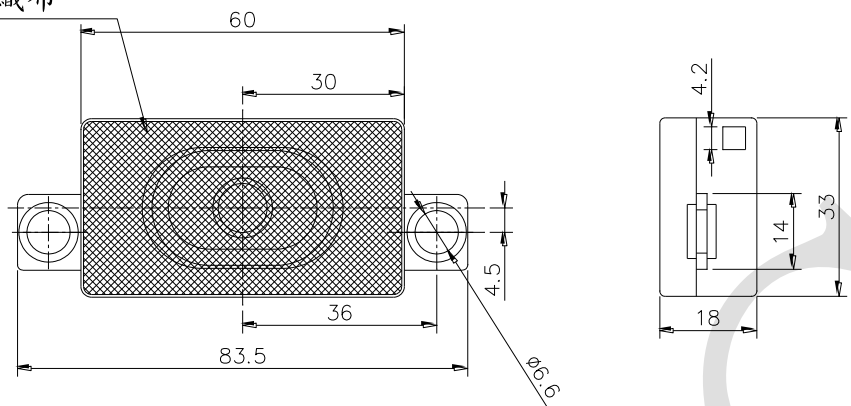
1. SPECIFICATION

AK-603308BC-8C15

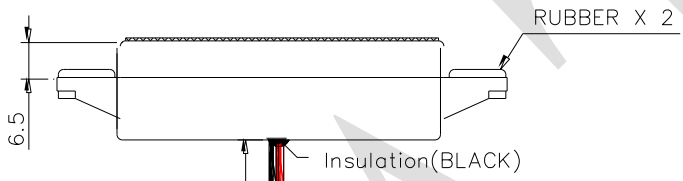
ITEM		SPECIFICATIONS	
01	Type	Dynamic Speaker + Sound Box	
02	Dimension	External diameter 60 x 33 x 18mm	
03	Rated Input Power	2.0W	
04	Max. Input Power	3.0 W for 1 minute	
05	Impedance	$8\Omega \pm 15\%$ at 1.5KHz 1V	
06	Resonance Frequency (Fo)	750 Hz \pm 20% at Fo, 1V	
07	Sound pressure level	72 dB(1.0W/1.0M) \pm 3 dB	at AVE 1.0K, 1.2K, 1.5K, 1.8K KHz.
		95dB(2.0W/0.1M) \pm 3 dB	
08	Frequency Range	Fo – 20 K Hz	
09	Total Harmonics Distortion	Max 10 % at 1 KHz, 1.0W	

REV NO.	REVISION NOTE	APPROVAL	DATE
---------	---------------	----------	------

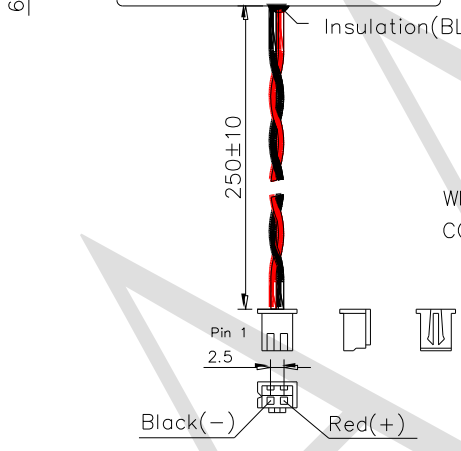
不織布



SOUND BOX & FRAME : ABS .
DIAPHRAGM : PAPER .



WIRE : UL1095 , 28 AWG .
CONNECTOR : JST XHP-2 Equivalent.



RoHS

TITLE: DYNAMIC SPEAKER + SOUND BOX		DRAWN: Zack	2015/04/13	SCALE: 1:1	SHEET: 1 : 1
PART NO. AKB-603308BC-8C15		DESIGNED: R & D OF AAT		UNITS: mm	
DWG NO. YGDA3040YX-01WC250		CHECKED:		TOLERANCE ± 0.5	
		APPROVAL:		UNLESS OTHERWISE SPECIFIED	
REV	2	MATERIAL: ABS		ONE PLACE DECIMAL \pm ***	
				TWO PLACE DECIMAL \pm ***	
				THREE PLACE DECIMAL \pm ***	



ADVANCED ACOUSTIC TECHNOLOGY CORPORATION