

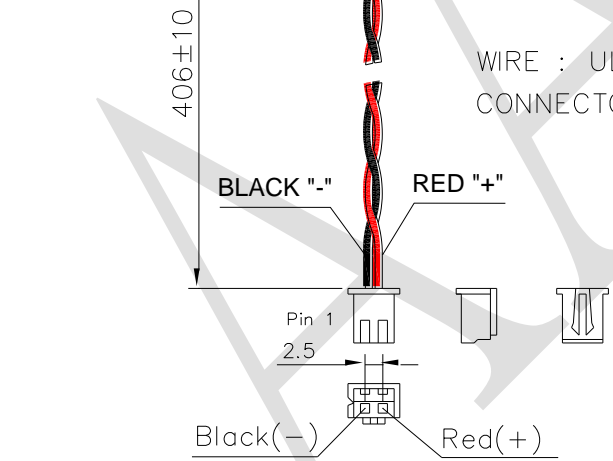
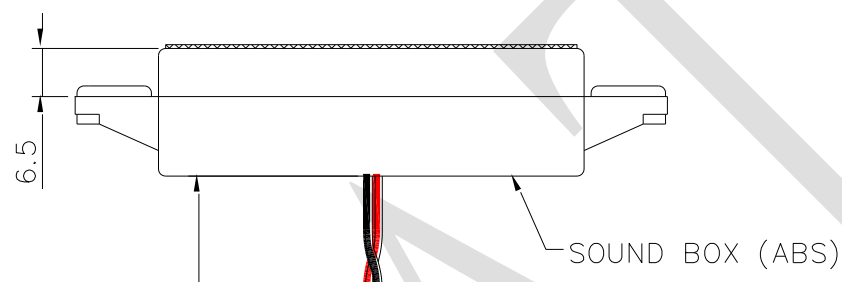
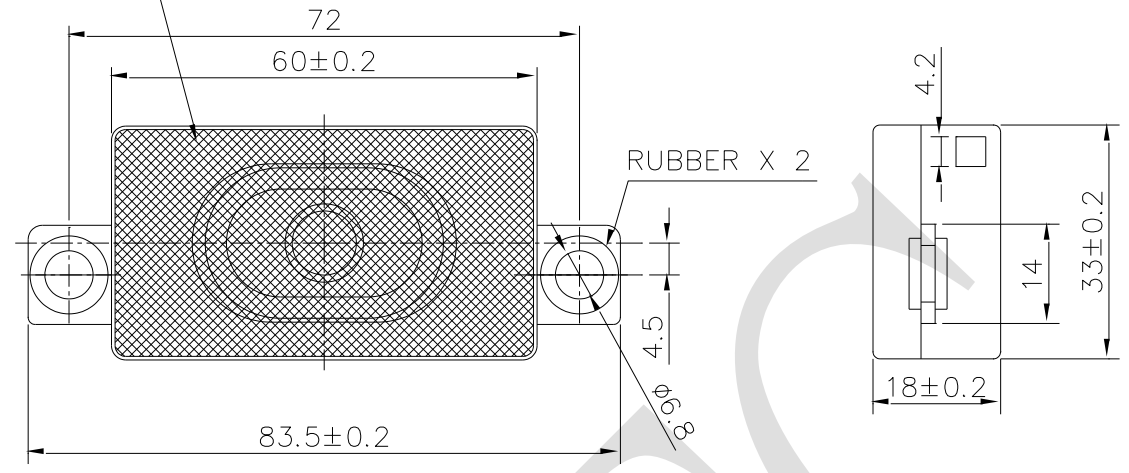
1. SPECIFICATION

AK-603308BC-8C16 (RoHS)

ITEM		SPECIFICATIONS	
01	Type	Dynamic Speaker + Sound Box	
02	Dimension	External diameter 60 X 33 X 18 mm	
03	Rated Input Power	2.0 W	
04	Max. Input Power	3.0 W for 1 minute	
05	Impedance	$8\Omega \pm 15\%$ at 1.5KHz 1V	
06	Resonance Frequency (Fo)	750 Hz \pm 20% at Fo, 1V	
07	Sensitivity (S.P.L.)	72 dB(1.0W/1.0M) \pm 3 dB	at AVE 1.0, 1.2, 1.5, 1.8 KHz.
		95 dB(2.0W/0.1M) \pm 3 dB	
08	Frequency Range	Fo – 20 K Hz	
09	Total Harmonics Distortion	Max 10 % at 1 KHz, 1.5V.	

REV NO.	REVISION NOTE	APPROVAL	DATE
---------	---------------	----------	------

CLOTH



WIRE : UL1095 , 28 AWG .
CONNECTOR : JST XHP-2 Equivalent.

RoHS

TITLE: DYNAMIC SPEAKER + SOUND BOX		DRAWN: Jason	2010/09/08	SCALE: 1:1	SHEET: 1 of 1
PART NO. AK-603308BC-8C16	1	DESIGNED: R&D OF AAT	UNITS: mm		
DWG NO. HS-100908		CHECKED:	TOLERANCE ± 0.5		
	REV	APPROVAL:	UNLESS OTHERWISE SPECIFIED:		
		MATERIAL: ABS	ONE PLACE DECIMAL ± ***		
			TWO PLACE DECIMAL ± ***		
			THREE PLACE DECIMAL ± ***		



苙翔科技股份有限公司
ADVANCED ACOUSTIC TECHNOLOGY CORPORATION