

1. SPECIFICATION

AK-603308BC-8C

ITEM		SPECIFICATIONS	
01	Type	Dynamic Speaker + Sound Box	
02	Dimension	External diameter 60 X 33 X 18 mm	
03	Rated Input Power	2.0 W	
04	Max. Input Power	3.0 W for 1 minute	
05	Impedance	$8\Omega \pm 15\%$ at 1.5KHz 1V	
06	Resonance Frequency (Fo)	750 Hz \pm 20% at Fo, 1V	
07	Sensitivity (S.P.L.)	72dB(1.0W/1.0m) \pm 3 dB	at AVE 1.0, 1.2, 1.5, 1.8 KHz.
		95 dB(2.0W/0.1M) \pm 3 dB	
08	Frequency Range	Fo – 20 K Hz	
09	Total Harmonics Distortion	Max 10 % at 1 KHz, 1.5V.	
10	Voice Coil	Diameter 13.5 mm	
11	Magnet	Rare earth permanent (Nd-Fe-B) magnet Φ 12.5 X 2.5 mm	
12	Weight	27g \pm 5g	
13	Appearance	Should not exist any obstacle to be harmful to normal operation; damages, cracks, rusts and distortions, etc.	
14	Operation Test	Must be normal at program source 2.0W	
15	Buzz, Rattle, etc.	Should not be audible at 4.0V sine wave between Fo to 20KHz	
16	Polarity	When positive voltage is applied to the terminal marked (+), diaphragm should move to the front.	
17	Terminal Strength	Capable of withstand 1kg load for 15 seconds without resulting in any damage or rejection.	
18	Temperature	Operating temperature: -20°C to +60°C	
		Storage temperature: -30°C to +70°C	

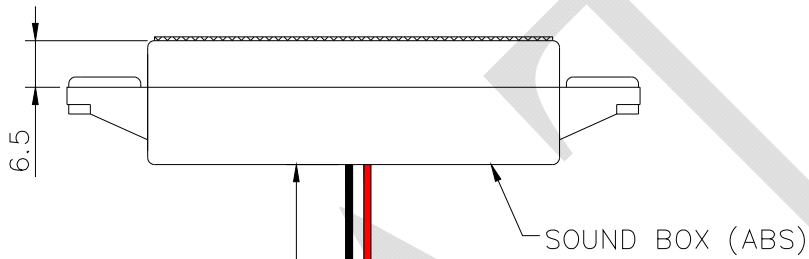
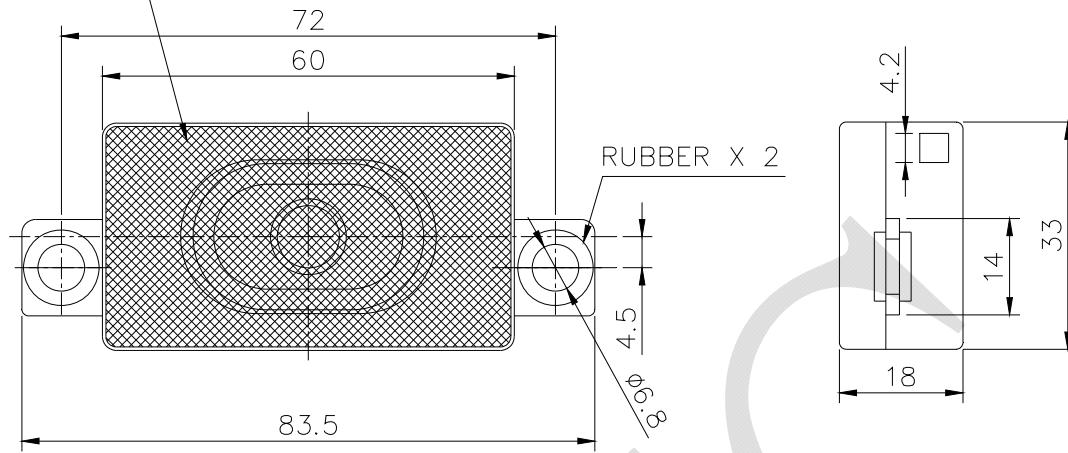
REV NO.

REVISION NOTE

APPROVAL

DATE

CLOTH



BLACK

RED

WIRE : UL1007, AWG#26

Connector : Equivalent to MOLEX 5264

RoHS

TITLE: DYNAMIC SPEAKER + SOUND BOX

DRAWN: *Jack* 2014/11/19

SCALE: 1:1 SHEET: 1 : 1

PART NO. AK-603308BC-8C

DESIGNED: R & D OF AAT

UNITS: mm

DWG NO. YGDA3040YX-01WC120

3

CHECKED:

TOLERANCE ± 0.5

APPROVAL:

UNLESS OTHERWISE SPECIFIED:

REV

MATERIAL: ABS

ONE PLACE DECIMAL ± ***

TWO PLACE DECIMAL ± ***

THREE PLACE DECIMAL ± ***



ADVANCED ACOUSTIC TECHNOLOGY CORPORATION