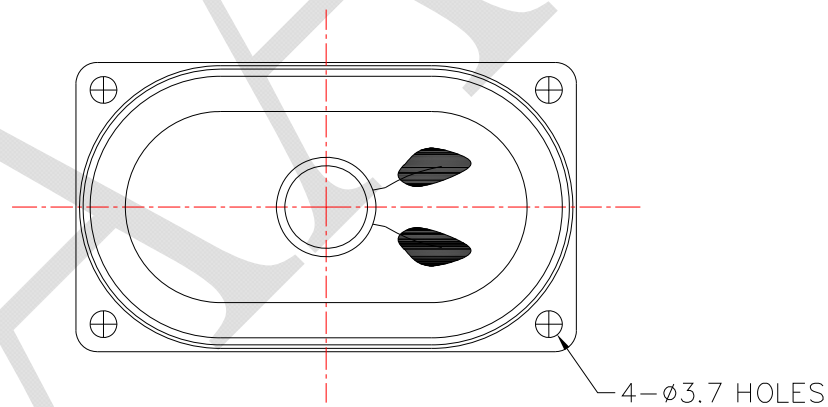
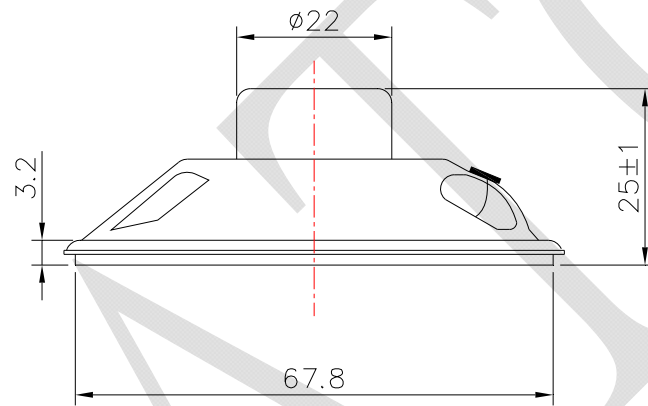
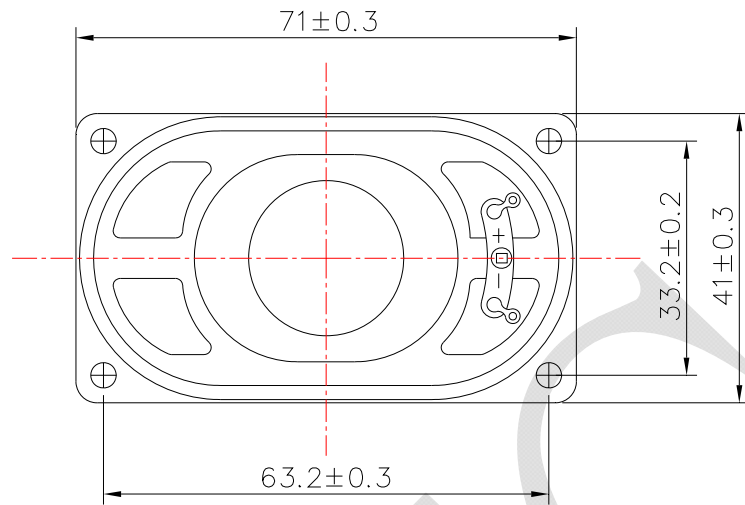


1. SPECIFICATION

AK-714108BC-4

ITEM		SPECIFICATIONS	
01	Type	Dynamic speaker	
02	Dimension	External diameter 71x41 mm	
03	Rated Input Power	4.0W	
04	Impedance	8 ohm \pm 15% at 1K Hz	
05	Resonance Frequency (Fo)	380 Hz \pm 20% at Fo, 1V	
06	Sound pressure level	100dB(1W/0.1m) \pm 3 dB	at AVE 0.6K,0.8K,1K,1.2K(Hz).
07	Frequency Range	Fo – 20KHz	
08	Distortion	Less than 10 % at 1K Hz 4 W	
09	Max. Input Power	Must be normal at 5W white noise for 1 minute.	
10	Voice Coil	Diameter 13.28 mm	
11	Magnet	Rare earth permanent (Nd-Fe-B) magnet Φ 12.5x3mm	
12	Weight	38g \pm 4g	
13	Appearance	Should not exist any obstacle to be harmful to normal operation; damages, cracks, rusts and distortions, etc.	
14	Operation Test	Must be normal at program source –4W	
15	Buzz, Rattle, etc.	Should not be audible at 5.7V sine Wave between Fo to 20KHz	
16	Polarity	When positive voltage is applied to the terminal marked (+), diaphragm should move to the front.	
17	Terminal Strength	Capable of withstand 1kg load for 30 seconds without resulting in any damage or rejection.	
18	Load Test	4 W white noise is applied for 96 hours and satisfy the test listed on item 05,06,13,15	
19	High Temp. Test	Keep 96 hours at +70°C \pm 3°C and leave 3 hours in normal temperature and then check	
20	Low Temp. Test	Keep 96 hours at -20°C \pm 3°C and leave 3 hours in normal temperature and then check	
21	Humidity Test	Keep 96 hours at + 60°C \pm 3°C relative humidity 95% and leave 3 hours in normal temperature and then checked.	
22	Drop Test	Drop the speakers contained in normal box onto the board 20mm thick 10 times from the height of 0.75m and then should	

REV NO.	REVISION NOTE	APPROVAL	DATE
---------	---------------	----------	------



RoHS

TITLE: DYNAMIC SPEAKER		DRAWN: <i>Jerry</i> 2012/10/09	SCALE: 1:1	SHEET: 1 of 1
PART NO. AK-714108BC-4		DESIGNED: R&D OF AAT	UNITS: mm	
DWC NO. DTS-1399		CHECKED:	TOLERANCE ± 0.5	
		APPROVAL:	UNLESS OTHERWISE SPECIFIED: ONE PLACE DECIMAL ± *** TWO PLACE DECIMAL ± *** THREE PLACE DECIMAL ± ***	
REV 2		MATERIAL: *****		



ADVANCED ACOUSTIC TECHNOLOGY CORPORATION