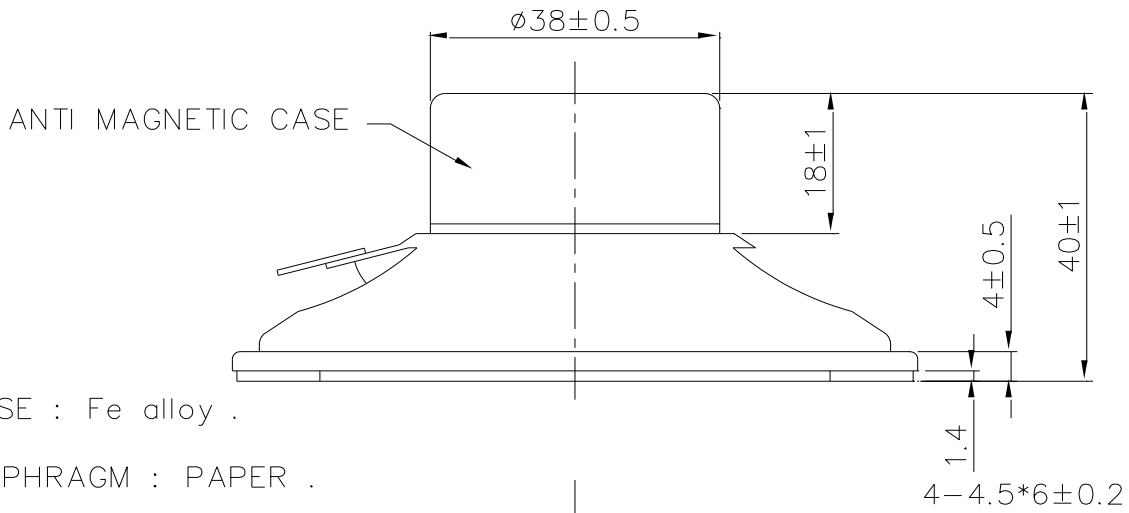
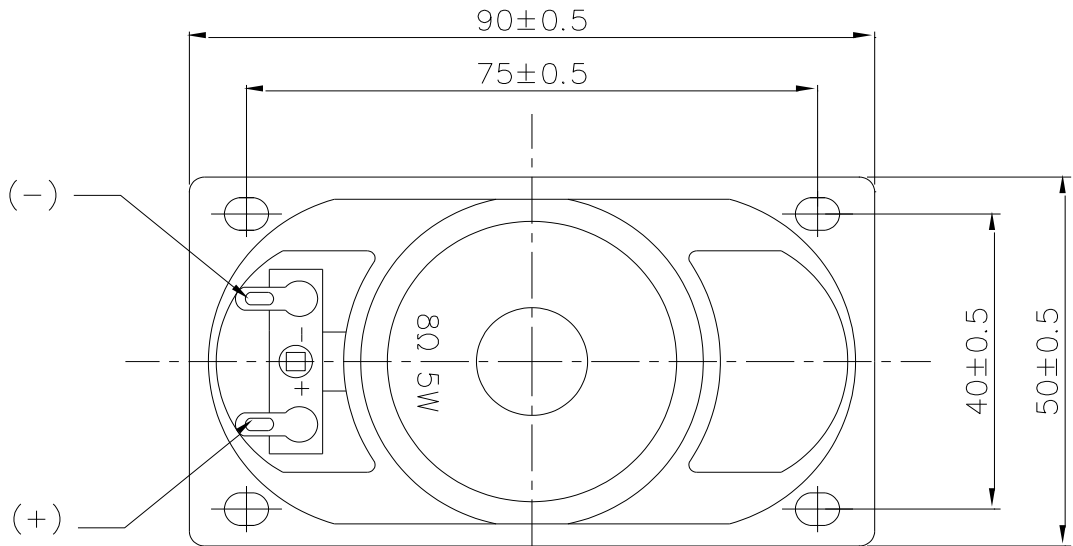


1. SPECIFICATION

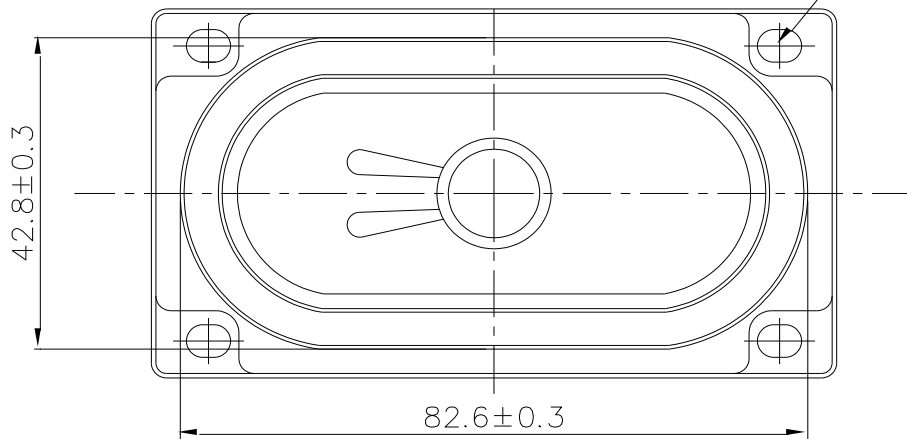
AK-905008YC-3 (RoHS)

| ITEM | | SPECIFICATIONS | |
|------|----------------------------|------------------------------|--------------------------------|
| 01 | Type | Dynamic speaker | |
| 02 | Dimension | External diameter 90 x 50 mm | |
| 03 | Rated Input Power | 5 W | |
| 04 | Max. Input Power | 8 W for 1 minute. | |
| 05 | Impedance | 8 ohm \pm 15% at 1.5K Hz | |
| 06 | Resonance Frequency (Fo) | 250 Hz \pm 20% at Fo, 1V | |
| 07 | Sensitivity (S.P.L.) | 89 dB(1.0W/0.3m) \pm 3 dB | at AVG 0.6K,0.8K,1.0K,1.2K Hz. |
| | | 99 dB(1.0W/0.1m) \pm 3 dB | |
| 08 | Frequency Range | Fo – 18K Hz. | |
| 09 | Total Harmonics Distortion | Max. 10 % at 1K Hz,1.0W. | |

| REV NO. | REVISION NOTE | APPROVAL | DATE |
|---------|---------------|----------|------|
|---------|---------------|----------|------|



CASE : Fe alloy .
 DIAPHRAGM : PAPER .



| | | | | | |
|------------------------|--|----------------------|-------------------------------|------------|---------------|
| TITLE: DYNAMIC SPEAKER | | DRAWN: TOM | 2008/08/11 | SCALE: 1:1 | SHEET: 1 of 1 |
| PART NO. AK-905008YC-3 | | DESIGNED: R&D OF AAT | UNITS: mm | | |
| DWG NO. DTS-1360 | | CHECKED: | TOLERANCE ± 0.5 | | |
| | | APPROVAL: | UNLESS OTHERWISE SPECIFIED: | | |
| REV 1 | | MATERIAL: ***** | ONE PLACE DECIMAL \pm *** | | |
| | | | TWO PLACE DECIMAL \pm *** | | |
| | | | THREE PLACE DECIMAL \pm *** | | |



苙翔科技股份有限公司
 ADVANCED ACOUSTIC TECHNOLOGY CORPORATION