

1. SPECIFICATION

AKB-282808B-1W

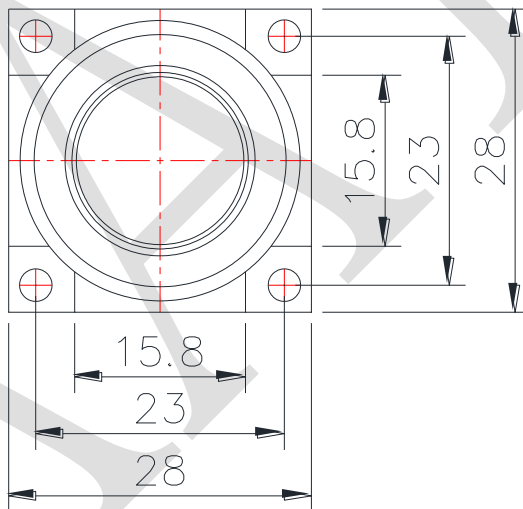
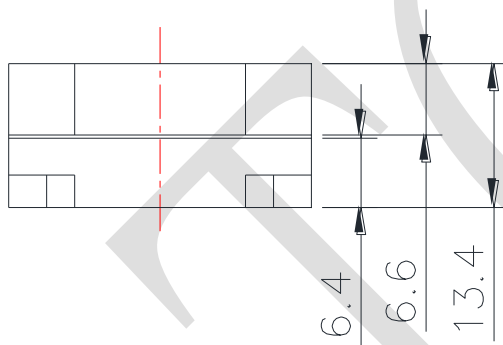
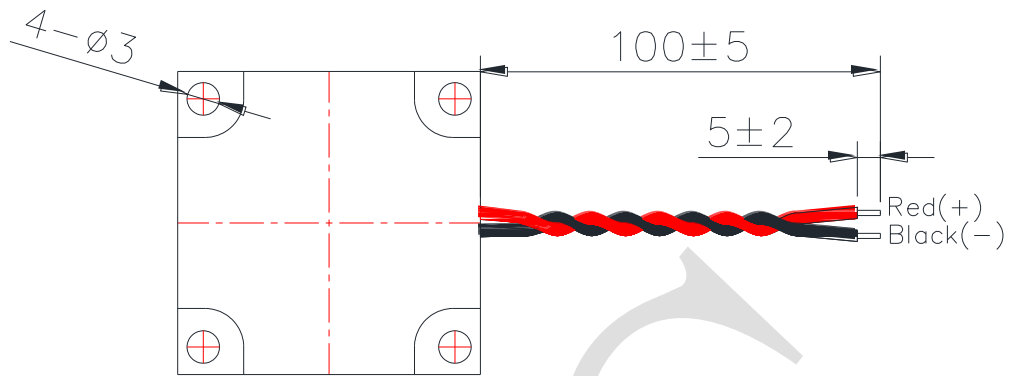
ITEM		SPECIFICATIONS	
01	Type	Dynamic speaker	
02	Dimension	External diameter 28X28 mm	
03	Rated Input Power	3.0 W	
04	Max. Input Power	4.0 W for 1 minute	
05	Impedance	$8\Omega \pm 15\%$ at 1.0KHz 1V	
06	Resonance Frequency (Fo)	800 Hz $\pm 20\%$ at Fo, 1V	
07	Sound pressure level	88 dB(0.1W/0.1M) ± 3 dB	at AVE 0.8K 1.0K 1.2K 1.5KHz.
		99 dB (3.0W/0.1M) ± 3 dB	
08	Frequency Range	Fo – 6 K Hz	
09	Total Harmonics Distortion	Max 10 % at 1 KHz, 4.89V.	

REV NO.

REVISION NOTE

APPROVAL

DATE



Wire: UL 1571 28#AWG

RoHS

TITLE: DYNAMIC SPEAKER

DRAWN: Sunny 2013/9/11

SCALE: 2:1

SHEET: 1:1

PART NO. AKB-282808B-1W

DESIGNED: R&D OF AAT

UNITS: mm

1

CHECKED:

TOLERANCE ± 0.5

DWG NO. CXS2828134L100-R08W3.0-A

APPROVAL:

UNLESS OTHERWISE SPECIFIED:

ONE PLACE DECIMAL ± ***

TWO PLACE DECIMAL ± ***

THREE PLACE DECIMAL ± ***

REV

MATERIAL: ABS



ADVANCED ACOUSTIC TECHNOLOGY CORPORATION