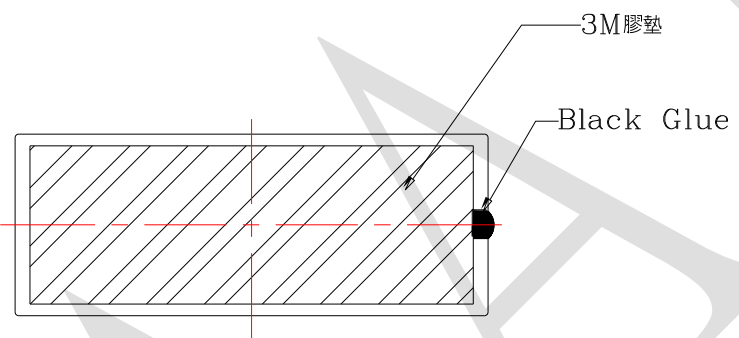
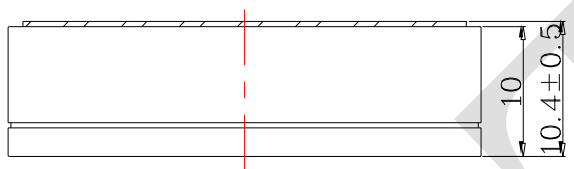
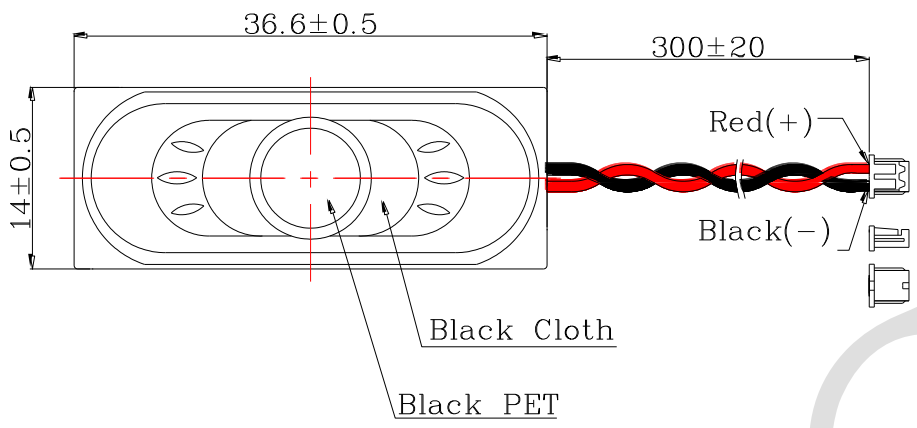


1. SPECIFICATION

AKB-37140820-MMC-1C

ITEM		SPECIFICATIONS	
01	Type	Dynamic Speaker	
02	Dimension	External diameter 37 x 14 mm	
03	Rated Input Power	2.0 W	
04	Max. Input Power	2.5 W for 1 minute	
05	Impedance	$8\Omega \pm 15\%$ at 1KHz 1V	
06	Resonance Frequency (Fo)	1700 Hz \pm 20% at Fo, 1V	
07	Sound pressure level	79 dB(0.1W/0.1M) \pm 3 dB	at AVE 1.2K, 1.5K, 1.8K, 2.0 KHz.
		92 dB(2.0W/0.1M) \pm 3 dB	
08	Frequency Range	Fo – 6 K Hz	
09	Total Harmonics Distortion	Max 10 % at 2 KHz, 1.0W(2.83V rms)	

REV NO.	REVISION NOTE	APPROVAL	DATE
---------	---------------	----------	------



Wire: UL 1571,AWG32#
Connector: Equivalent to Molex 51021-0200

RoHS

TITLE: DYNAMIC SPEAKER		DRAWN: Moose 2018-03-07	SCALE: 1:1	SHEET: 1 : 1
PART NO. AKB-37140820-MMC-1C		DESIGNED: R & D OF AAT	UNITS: mm	
DWC NO. CXS1436104LP300-R08W2.0-A		CHECKED:	TOLERANCE ± 0.5	
		APPROVAL:	UNLESS OTHERWISE SPECIFIED	
REV 1		MATERIAL: ABS	ONE PLACE DECIMAL ± ***	
			TWO PLACE DECIMAL ± ***	
			THREE PLACE DECIMAL ± ***	



ADVANCED ACOUSTIC TECHNOLOGY CORPORATION