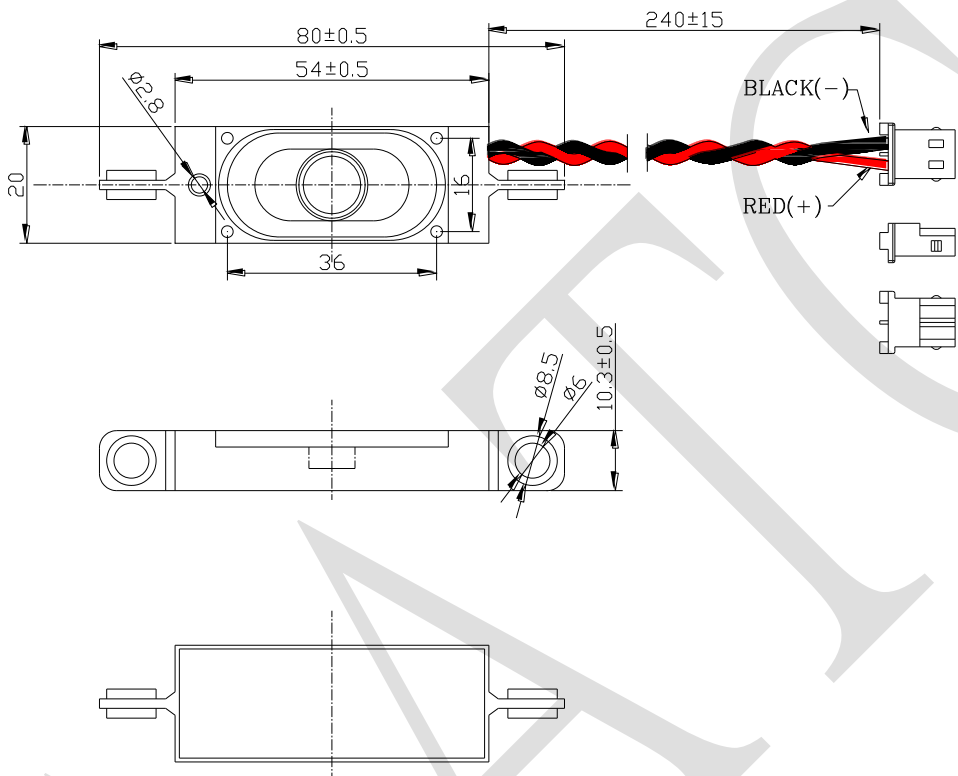


## 1. SPECIFICATION

AKB-54200810-PMC-1C

ITEM		SPECIFICATIONS	
01	Type	Dynamic speaker	
02	Dimension	External diameter 54 x 20	
03	Rated Input Power	1.0W	
04	Max. Input Power	2.0W for 1 minute	
05	Impedance	$8\Omega \pm 15\%$ at 2.0KHz 1V	
06	Resonance Frequency (Fo)	900 Hz $\pm 20\%$ at Fo, 1V	
07	Sound pressure level	84dB(0.1W/1.0M) $\pm 3$ dB	at AVE 1.0, 1.5, 2.0, 2.5 KHz.
		93 dB(1.0W/0.1M) $\pm 3$ dB	
08	Frequency Range	Fo – 20 K Hz	
09	Total Harmonics Distortion	Max 10 % at 1 KHz, 1.0W.	

REV NO.	REVISION NOTE	APPROVAL	DATE
---------	---------------	----------	------



Wire: UL 1007. AWG.26#  
Connector: *Equivalent Molex 50-37-5023*

RoHS

TITLE: DYNAMIC SPEAKER		DRAWN: <b>Moose</b>	2019-04-11	SCALE: 1:1	SHEET: 1 : 1
PART NO. AKB-54200810-PMC-1C		DESIGNED: R & D OF AAT	UNITS: mm		
DWC NO. YGDA2040YX-09WC240-02		CHECKED:	TOLERANCE ± 0.5		
REV 1		APPROVAL:	UNLESS OTHERWISE SPECIFIED:		
		MATERIAL: ABS	ONE PLACE DECIMAL ± ***		
			TWO PLACE DECIMAL ± ***		
			THREE PLACE DECIMAL ± ***		



ADVANCED ACOUSTIC TECHNOLOGY CORPORATION