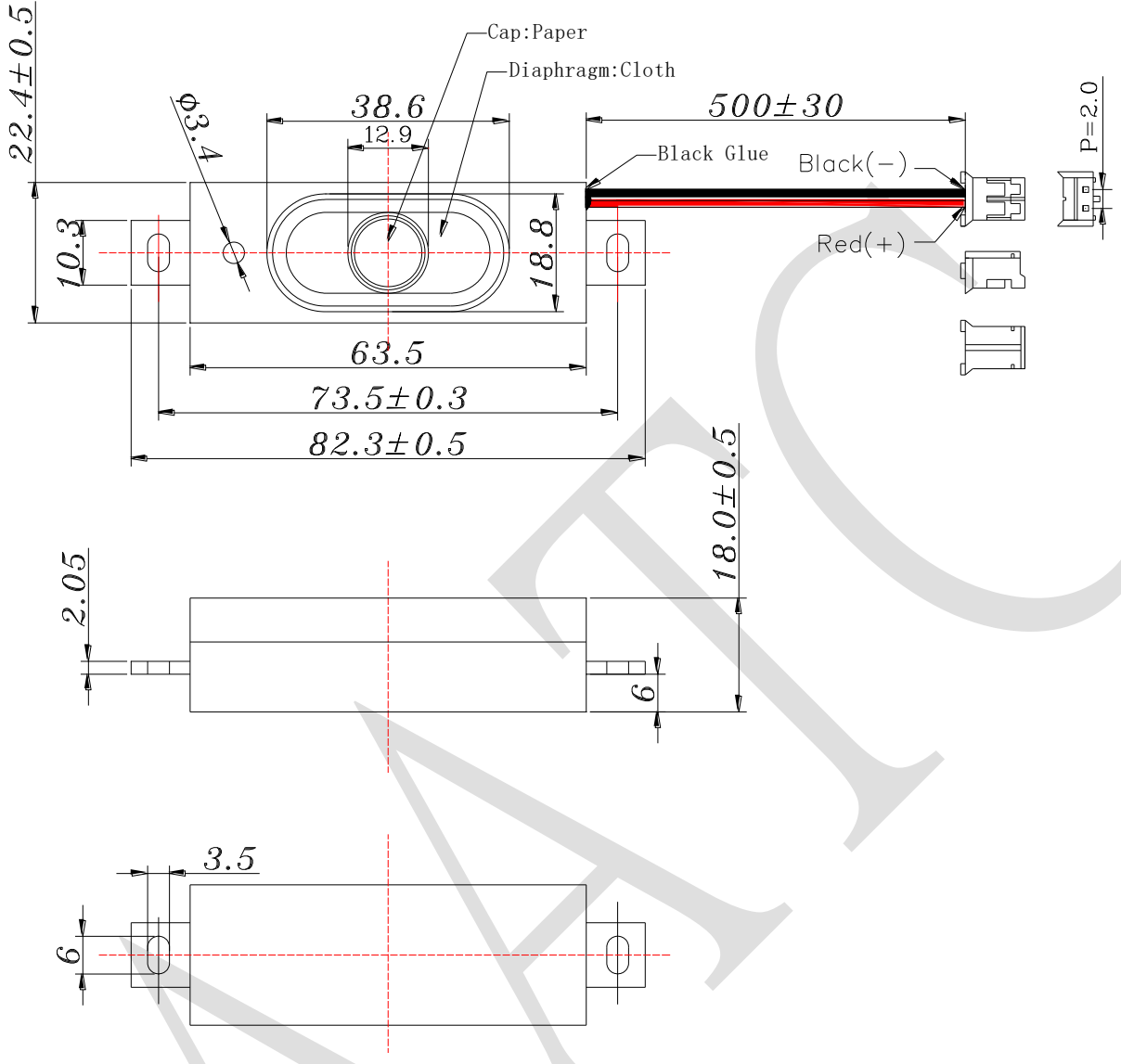


1. SPECIFICATION

AKB-64220420-PPC-1C

ITEM		SPECIFICATIONS	
01	Type	Dynamic Speaker	
02	Dimension	External diameter 63.5 x 22.4 mm	
03	Rated Input Power	2.0 W	
04	Max. Input Power	2.5 W for 1 minute	
05	Impedance	$4\Omega \pm 15\%$ at 1 KHz 1V	
06	Resonance Frequency (Fo)	800 Hz \pm 20% at Fo, 1V	
07	Sound pressure level	105dB(2.0W/0.1M) \pm 3 dB	at AVE 0.8, 1.0, 1.2, 1.5 KHz.
08	Frequency Range	Fo – 3K Hz	
09	Total Harmonics Distortion	Max 10 % at 1 KHz, 1W	
10	Magnet	Rare earth permanent (NdFeB)	
11	Weight	13.8 g \pm 4 g	
12	Appearance	Should not exist any obstacle to be harmful to normal operation; damages, cracks, rusts and distortions, etc.	
13	Operation Test	Must be normal at program source 2.0 W	
14	Buzz, Rattle, etc.	Should not be audible at 2.82V sine wave between Fo to 20KHz	
15	Polarity	When positive voltage is applied to the terminal marked (+), diaphragm should move to the front.	
16	Terminal Strength	Capable of withstand 1kg load for 15 seconds without resulting in any damage or rejection.	
17	Temperature	Operating temperature: -20°C to +60°C Storage temperature: -30°C to +70°C	

REV NO.	REVISION NOTE	APPROVAL	DATE
---------	---------------	----------	------



WIRE : UL 1571,AWG28#
CONNECTOR :Equivalent to JST PHR-2

RoHS

TITLE: DYNAMIC SPEAKER		DRAWN: Zack	2017/05/10	SCALE: 1:1	SHEET: 1 : 1
PART NO. AKB-64220420-PPC-1C		DESIGNED: R & D OF AAT		UNITS: mm	
DWG NO. CXS2040180LP500-R04W2.0-D		CHECKED:		TOLERANCE ± 0.5	
		APPROVAL:		UNLESS OTHERWISE SPECIFIED: ONE PLACE DECIMAL ± *** TWO PLACE DECIMAL ± *** THREE PLACE DECIMAL ± ***	
	3	MATERIAL: ABS			



ADVANCED ACOUSTIC TECHNOLOGY CORPORATION