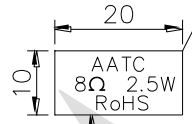
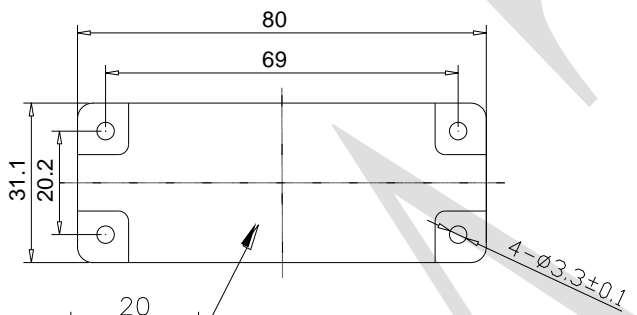
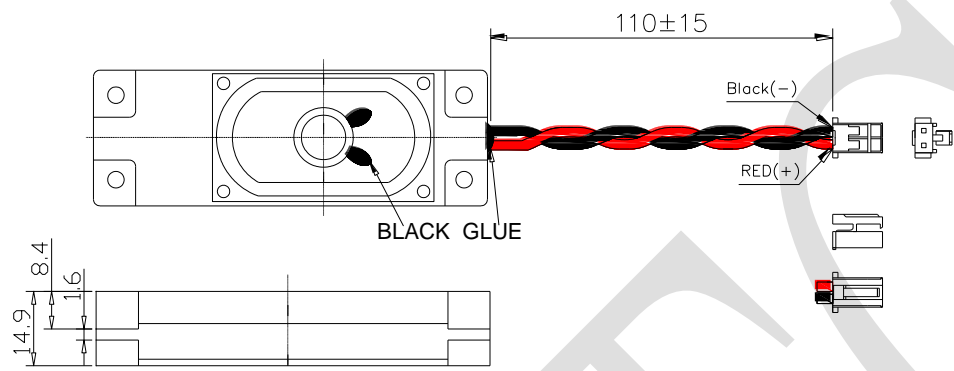


1. SPECIFICATION

AKB-80310825-PPC-1C

ITEM		SPECIFICATIONS	
01	Type	Dynamic Speaker	
02	Dimension	External diameter 80 X 31 mm	
03	Rated Input Power	2.5 W	
04	Max. Input Power	4.0 W for 1 minute	
05	Impedance	$8\Omega \pm 15\%$ at 1.5KHz 1V	
06	Resonance Frequency (Fo)	650 Hz \pm 20% at Fo, 1V	
07	Sensitivity (S.P.L.)	77 dB(1.0W/1.0M) \pm 3 dB	at AVE 1.0, 1.2, 1.6, 2.0 KHz.
		101 dB(2.5W/0.1M) \pm 3 dB	
08	Frequency Range	Fo – 9 K Hz	
09	Total Harmonics Distortion	Max 10 % at 1 KHz, 1.5V.	

REV NO.	REVISION NOTE	APPROVAL	DATE
---------	---------------	----------	------



LABEL
Background: Silver
Letters: Black

Wire : UL1061,AWG26#
Connector: SMH200-02

RoHS

TITLE: DYNAMIC SPEAKER		DRAWN: Zack	2016/12/27	SCALE: 1:1	SHEET: 1 : 1
PART NO. AKB-80310825-PPC-1C		DESIGNED: R & D OF AAT		UNITS: mm	
DWG NO. YGDA8031YX-02C110-02		CHECKED:		TOLERANCE ± 0.5	
		APPROVAL:		UNLESS OTHERWISE SPECIFIED:	
REV 2		MATERIAL: ABS		ONE PLACE DECIMAL ± ***	
				TWO PLACE DECIMAL ± ***	
				THREE PLACE DECIMAL ± ***	



ADVANCED ACOUSTIC TECHNOLOGY CORPORATION