

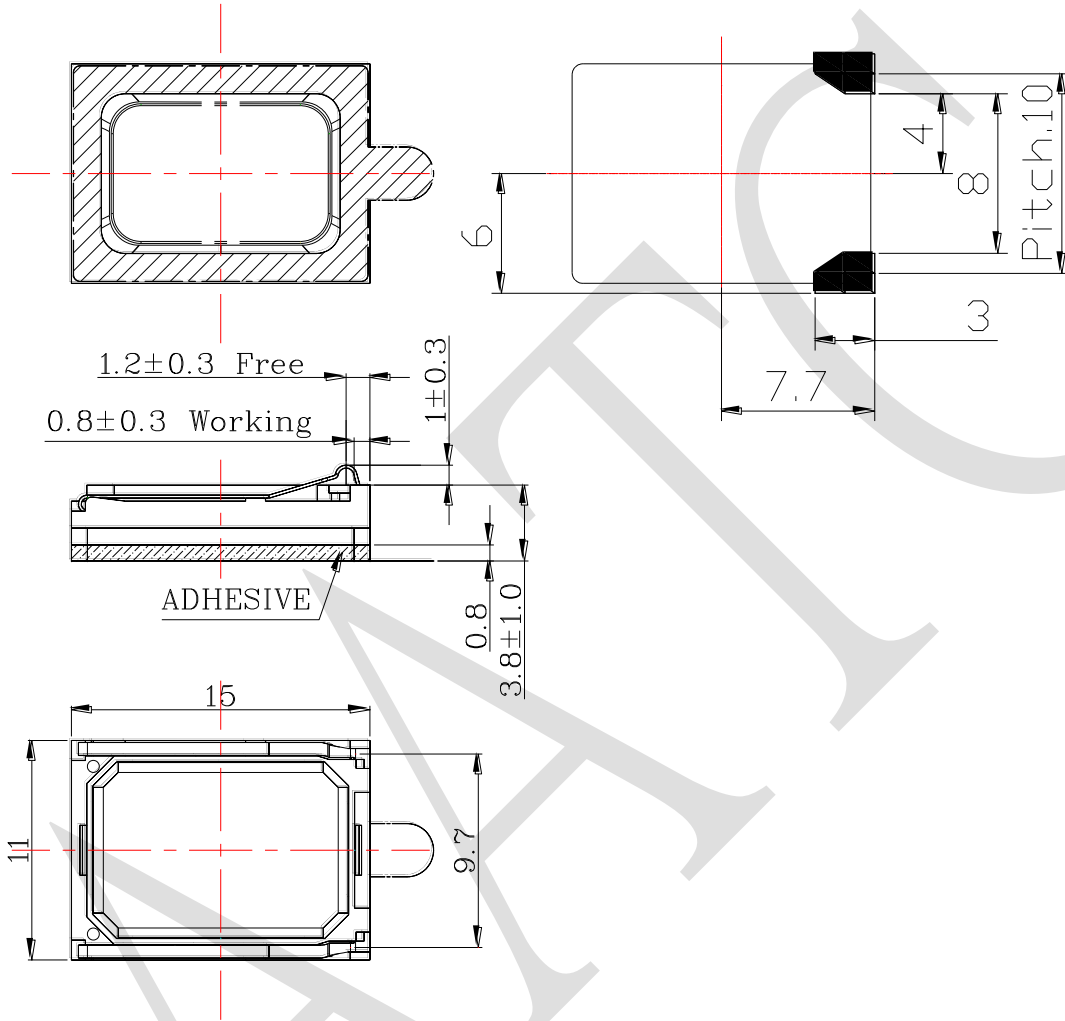
1. SPECIFICATION

AKR-151107D-1P

ITEM		SPECIFICATIONS	
01	Type	Dynamic Speaker	
02	Dimension	External diameter 15 x 11 mm	
03	Rated Input Power	0.6 W	
04	Max. Input Power	1.0 W for 1 minute	
05	Impedance	$7\Omega \pm 15\%$ at 2.0KHz 1V	
06	Resonance Frequency (Fo)	600 Hz \pm 20% at Fo, 1V	
07	Sound pressure level	77 dB(0.1W/0.1M) \pm 3 dB	at AVE 0.6, 0.8, 1.0, 1.2 KHz.
		83 dB(0.6W/0.1M) \pm 3 dB	
08	Frequency Range	Fo – 20 K Hz	
09	Total Harmonics Distortion	Max 10 % at 1 KHz, 0.84V.	

REV NO.	REVISION NOTE	APPROVAL	DATE
---------	---------------	----------	------

Recommended PAD LAYOUT



RoHS

TITLE: DYNAMIC SPEAKER		DRAWN: Zack	2015/12/29	SCALE: 1:1	SHEET: 1 : 1
PART NO. AKR-151107D-1P		DESIGNED: R & D OF AAT	UNITS: mm		
DWG NO. JXS1511-08-09T3S0.8		CHECKED:	TOLERANCE ± 0.5		
		APPROVAL:	UNLESS OTHERWISE SPECIFIED: ONE PLACE DECIMAL ± *** TWO PLACE DECIMAL ± *** THREE PLACE DECIMAL ± ***		
REV	4	MATERIAL: PBT			



ADVANCED ACOUSTIC TECHNOLOGY CORPORATION