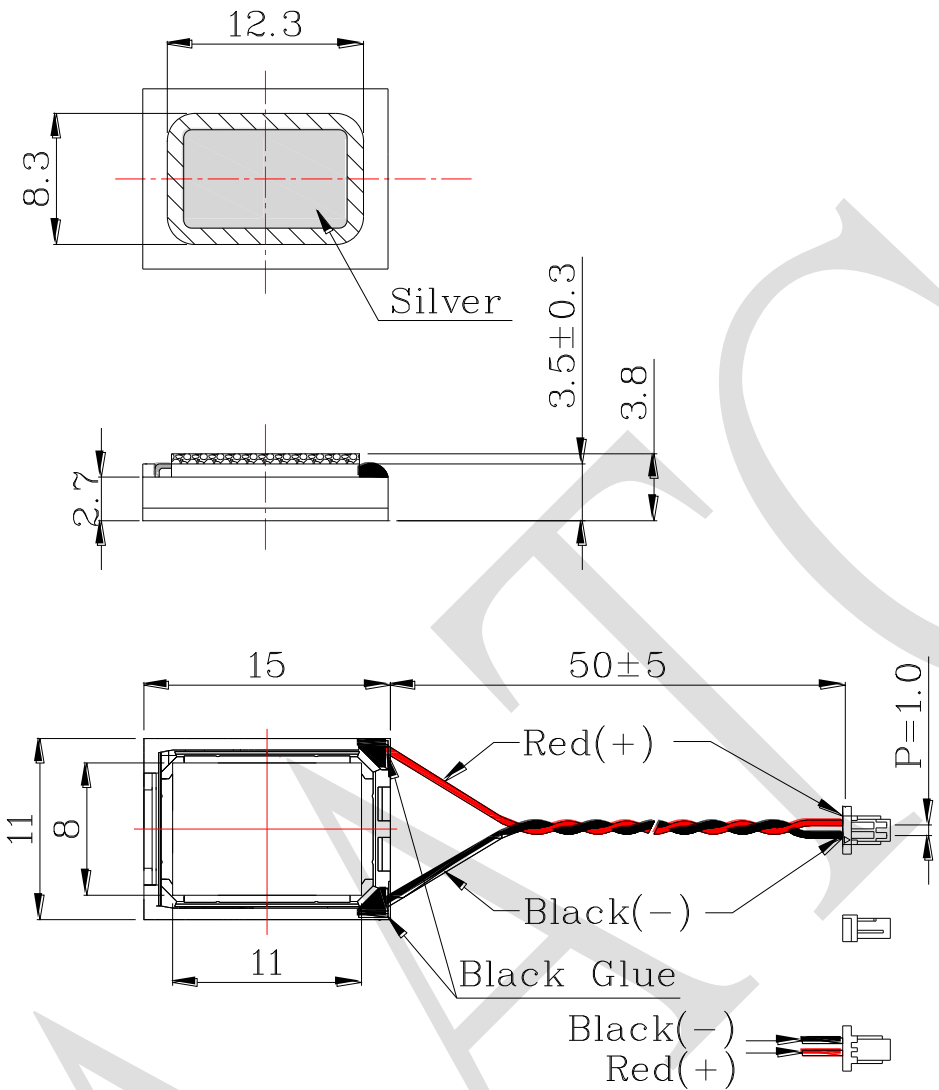


# 1. SPECIFICATION

AKR-15110801-PM-1CV

ITEM		SPECIFICATIONS	
01	Type	Dynamic Speaker	
02	Dimension	External diameter 15 x 11 mm	
03	Rated Input Power	0.1 W in free air 0.5 W in 1.0cc box	
04	Max. Input Power	0.15 W for 1 minute 1.0 W 1.0cc box	
05	Impedance	$8\Omega \pm 15\%$ at 2KHz 1V	
06	Resonance Frequency (Fo)	550 Hz $\pm 20\%$ at Fo, 1V	
07	Sound pressure level	80 dB(0.1W/0.1M) $\pm 3$ dB	at AVE 0.8K, 1.0K, 1.2K, 1.5K KHz.
08	Frequency Range	Fo – 20K Hz	
09	Total Harmonics Distortion	Max 10 % at 1 KHz, 0.1W.	

REV NO.	REVISION NOTE	APPROVAL	DATE
---------	---------------	----------	------



Wire: UL3302.AWG32#  
 Connector: Equivalent to JST-SHR-02V-S-B

RoHS

TITLE: DYNAMIC SPEAKER		DRAWN: <b>Zack</b>	2015/05/09	SCALE: 1:1	SHEET: 1 : 1
PART NO. AKR-15110801-PM-1CV		DESIGNED: R & D OF AAT	UNITS: mm		
DWG NO. CXS1511038LP50-R08W0.5-F1		CHECKED:	TOLERANCE ± 0.5		
		APPROVAL:	UNLESS OTHERWISE SPECIFIED: ONE PLACE DECIMAL ± *** TWO PLACE DECIMAL ± *** THREE PLACE DECIMAL ± ***		
REV 3		MATERIAL: PPA			



**ADVANCED ACOUSTIC TECHNOLOGY CORPORATION**