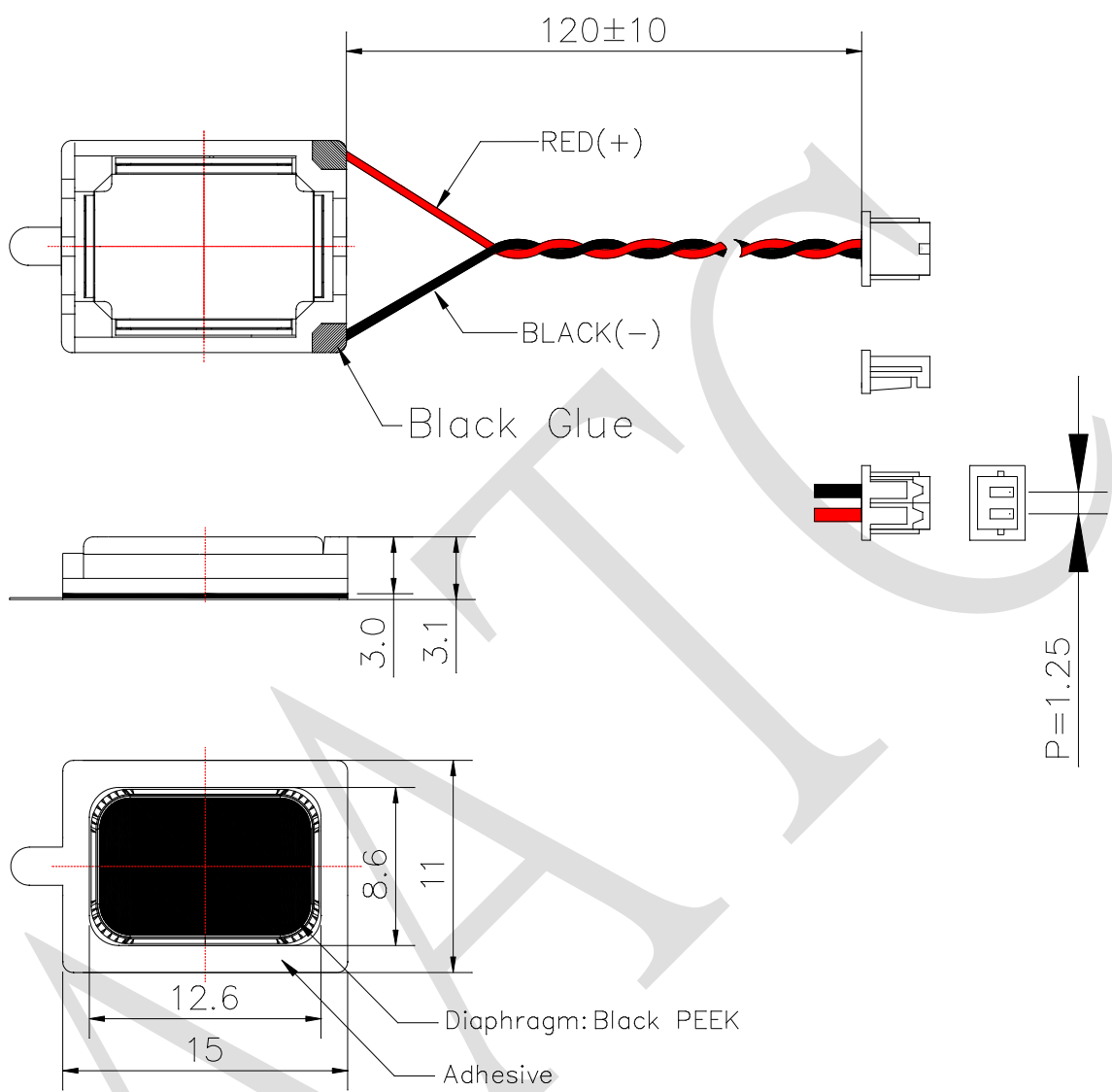


1. SPECIFICATION

AKR-15110807PAM-5CV1

ITEM		SPECIFICATIONS	
01	Type	Dynamic Speaker	
02	Dimension	External diameter 15 x 11 mm	
03	Rated Input Power	0.7 W	
04	Max. Input Power	1.0 W for 1 minute	
05	Impedance	$8\Omega \pm 15\%$ at 2 KHz 2V	
06	Resonance Frequency (Fo)	700 Hz \pm 20% at Fo, 1V	
07	Sound pressure level	88 dB(0.7W/0.1M) \pm 3 dB	at AVE 0.8, 1.0, 1.5, 2.0 KHz.
08	Frequency Range	Fo – 20 K Hz	
09	Total Harmonics Distortion	Max 10 % at 1 KHz, 0.89V.	

REV NO.	REVISION NOTE	APPROVAL	DATE
---------	---------------	----------	------



WIRE: UL1571 30#AWG
 Connector: Equivalent to MOLEX-51021-0200

RoHS

TITLE: DYNAMIC SPEAKER	DRAWN: Sunny 2019-2-21	SCALE: 1:1	SHEET: 1 : 1
PART NO. AKR-15110807PAM-5CV1	DESIGNED: R & D OF AAT	UNITS: mm	TOLERANCE ± 0.5
DWG NO. UGSP111508-18GWC120-02	1 REV	CHECKED:	UNLESS OTHERWISE SPECIFIED:
		APPROVAL:	ONE PLACE DECIMAL ± ***
		MATERIAL: PBT+SUS	TWO PLACE DECIMAL ± ***
			THREE PLACE DECIMAL ± ***



ADVANCED ACOUSTIC TECHNOLOGY CORPORATION